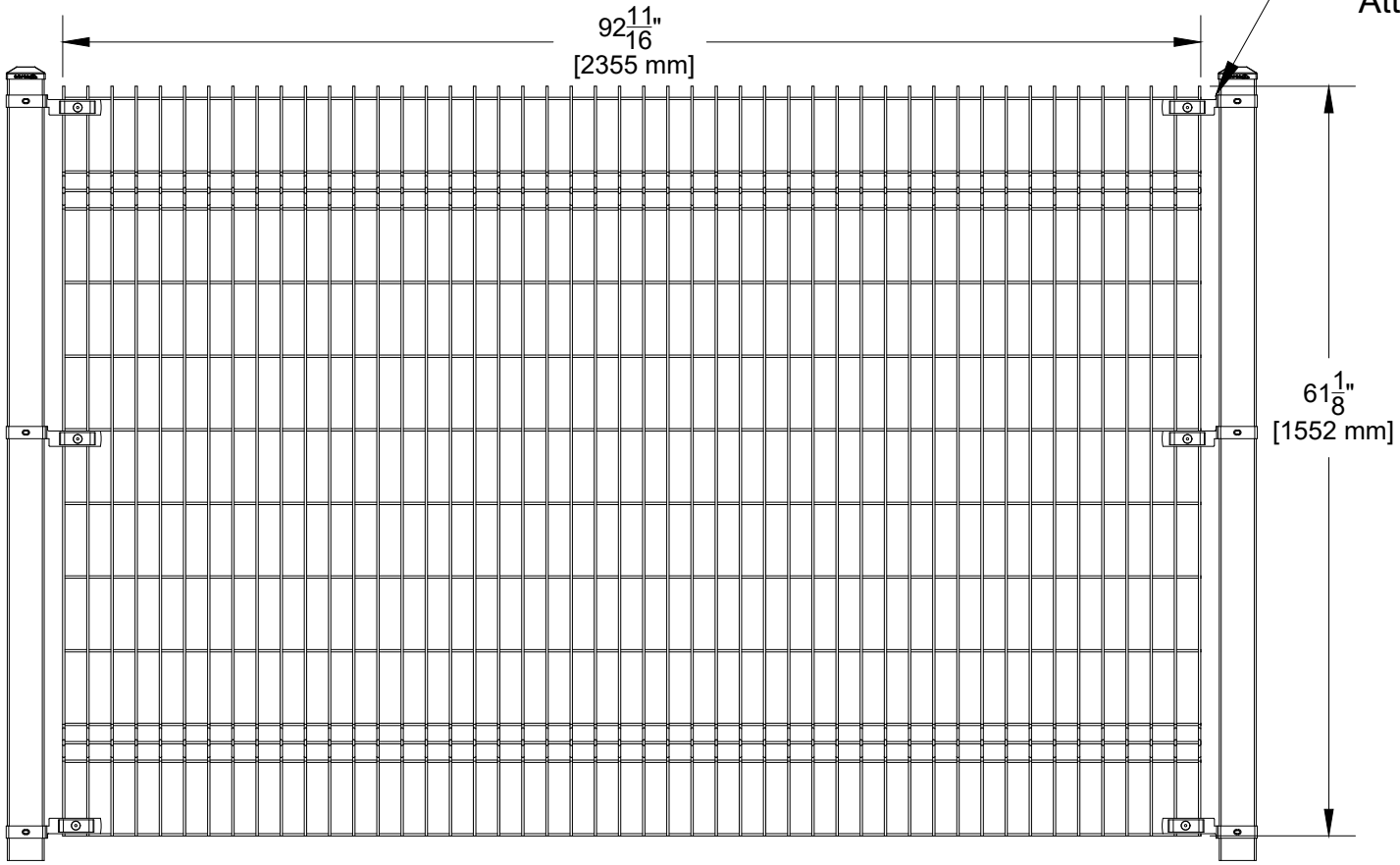


OMEGA ARCHITECTURAL PANELS MOUNTED ON SQUARE POSTS (HEIGHT 5')  
 PANNEAUX OMEGA ARCHITECTURALE SUR POTEAUX CARRÉS (GRANDEUR 5')

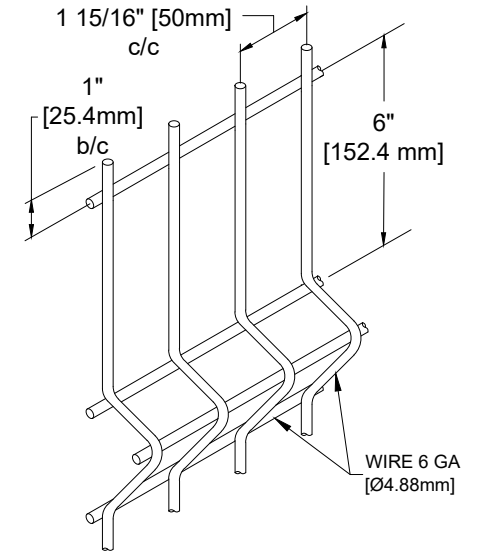
Panel / Panneau 5' (33 lb/15 kg)



$92\frac{11}{16}$ "  
[2355 mm]

Universal Collar /  
Attache Universelle

$61\frac{1}{8}$ "  
[1552 mm]



$1\frac{15}{16}$ " [50mm]  
c/c

1"  
[25.4mm]  
b/c

6"  
[152.4 mm]

WIRE 6 GA  
[Ø4.88mm]