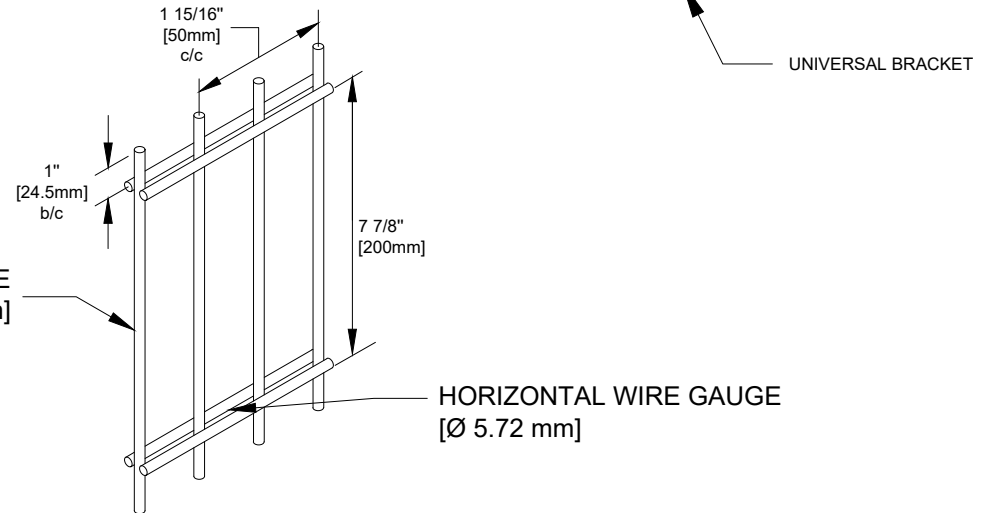
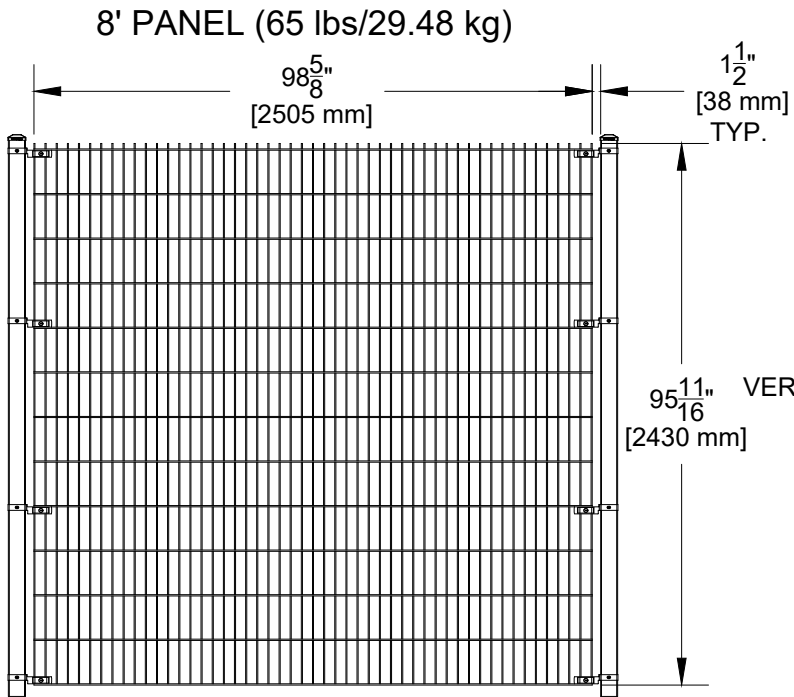
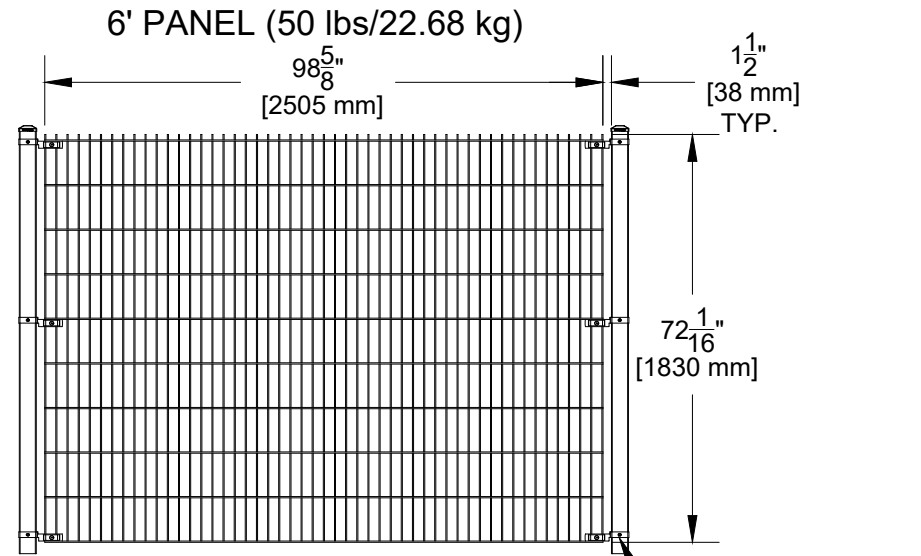
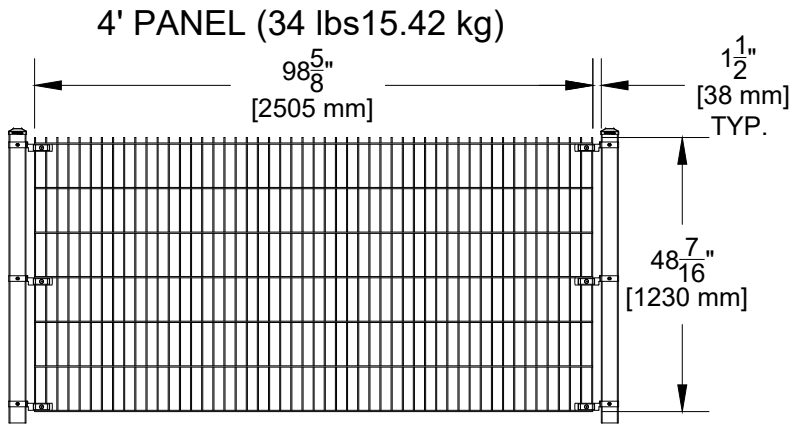


EVOLUTION DOUBLE WIRE PANELS



PRODUCT	PRODUCT NUMBER
4' PANEL	C-EL48GV
6' PANEL	C-EL72GV
8' PANEL	C-EL96GV
STANDARD BRACKET	C-CUNI*KGV

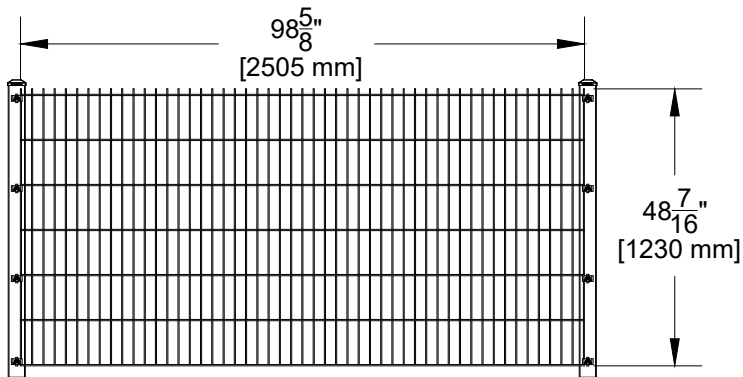
PANEL HEIGHT	NUMBER OF UNIVERSAL BRACKET KITS PER PANEL
4' (1.2 m)	6
6' (1.8 m)	6
8' (2.5 m)	8

*Dimension of the post

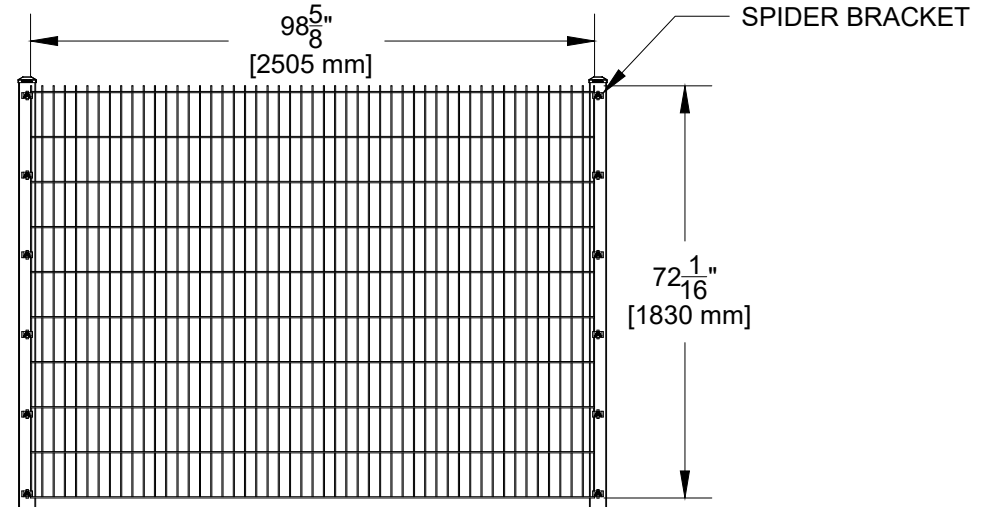
FOR MORE INFORMATION ON THESE PANELS, PLEASE REFER TO SPECIFICATIONS.

EVOLUTION DOUBLE WIRE PANELS FACE MOUNTED - SPIDER BRACKET

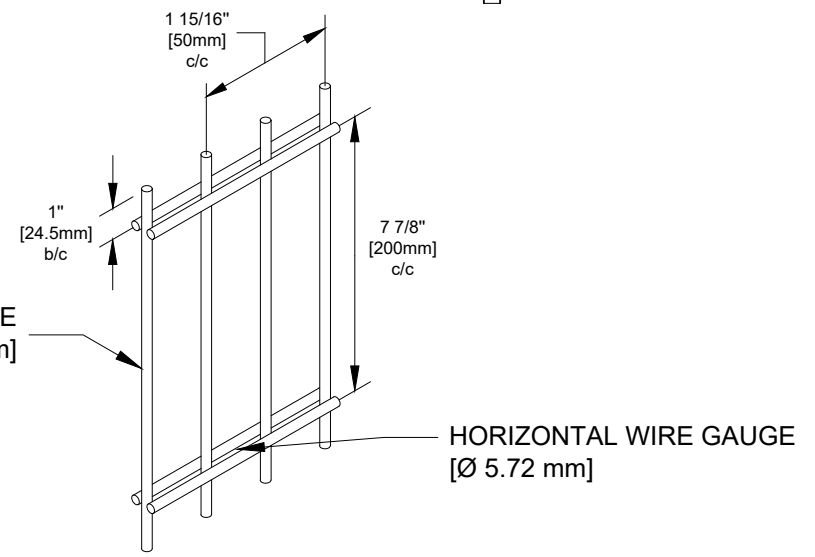
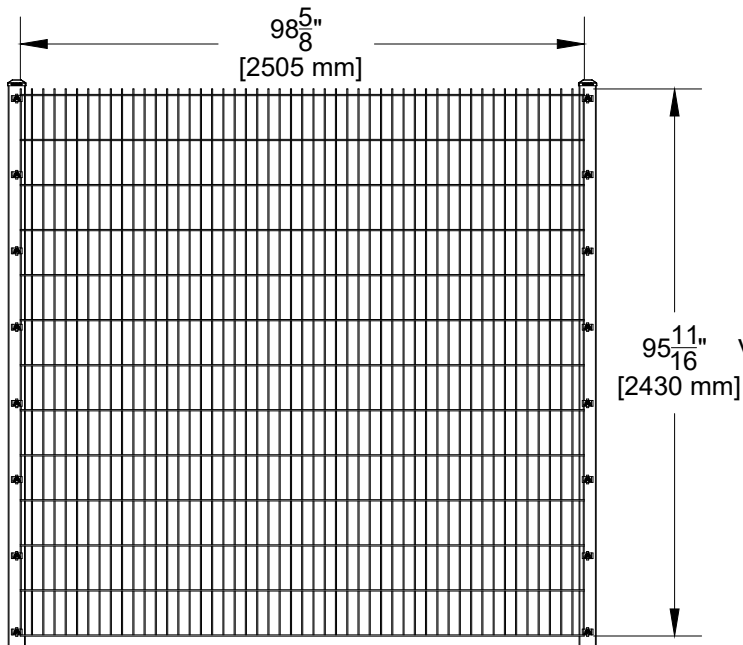
4' PANEL (34 lbs/15.42 kg)



6' PANEL (50 lbs/22.68 kg)



8' PANEL (65 lbs/29.48 kg)

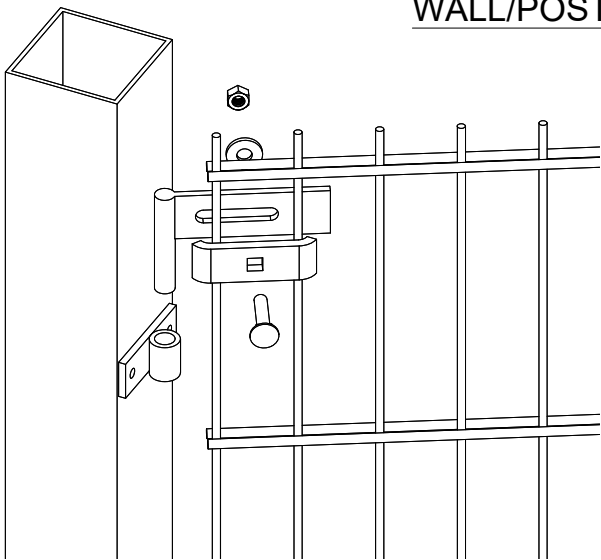


PRODUCT	PRODUCT NUMBER
4' PANEL	C-EL48GV
6' PANEL	C-EL72GV
8' PANEL	C-EL96GV
SPIDER BRACKET	C-FUNIK

PANEL HEIGHT	NUMBER OF UNIVERSAL BRACKET KITS PER PANEL
4' (1.2 m)	8
6' (1.8 m)	12
8' (2.5 m)	16

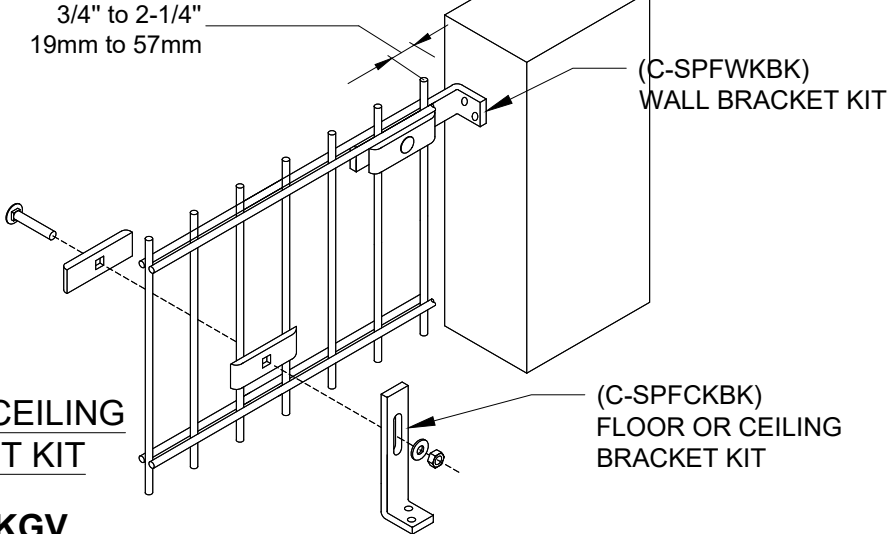
FOR MORE INFORMATION ON THESE PANELS, PLEASE REFER TO SPECIFICATIONS.

SPECIAL PANEL FITTING AND BRACKET FOR EVOLUTION DOUBLE WIRE



WALL/POST BRACKET KIT
FOR ANGLE

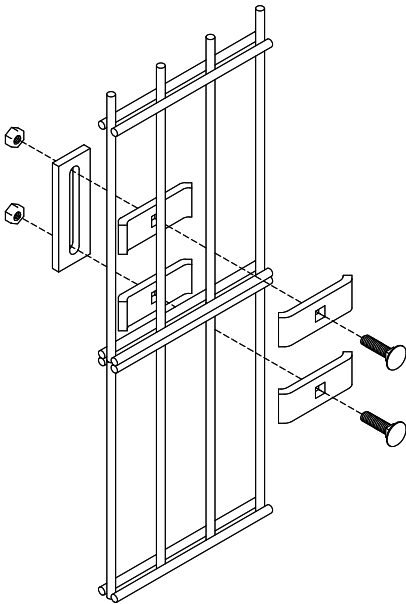
C-SPFAKGV



WALL/POST BRACKET KIT
C-SPFWKGV

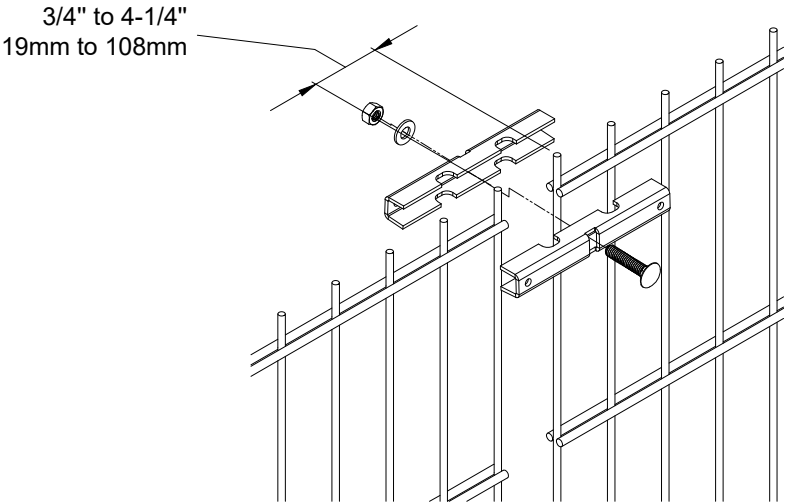
FLOOR/CEILING
BRACKET KIT

C-SPFCKGV



STACKED PANEL CONNECTING
ATTACHMENT KIT

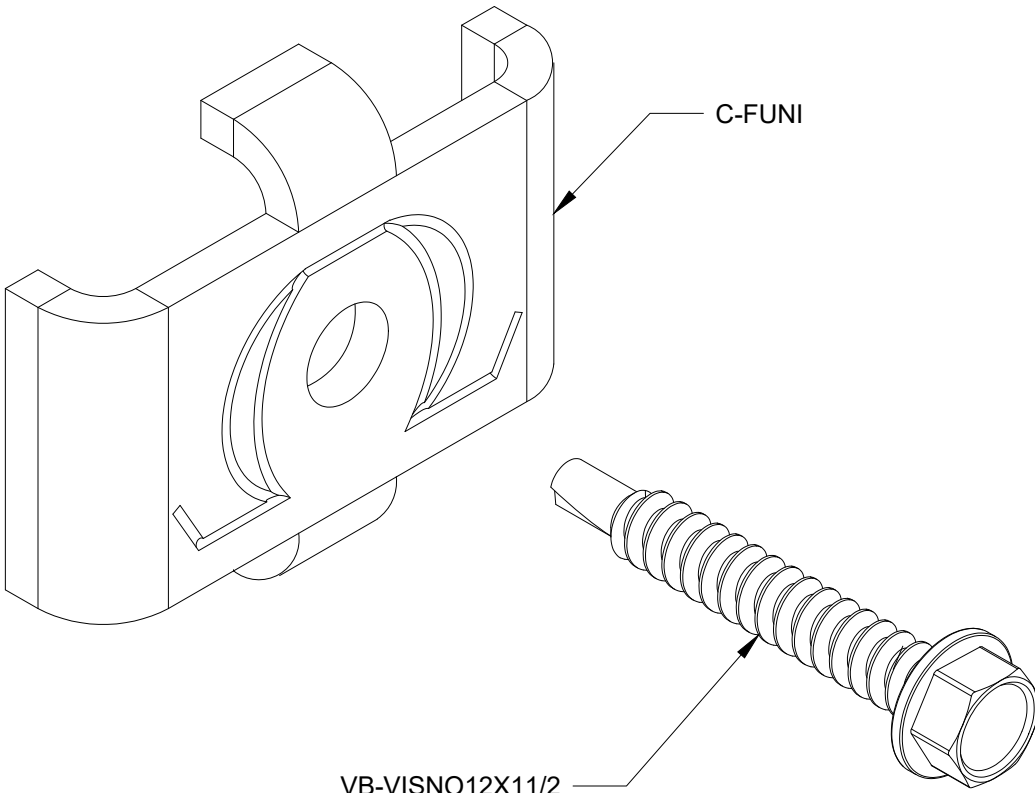
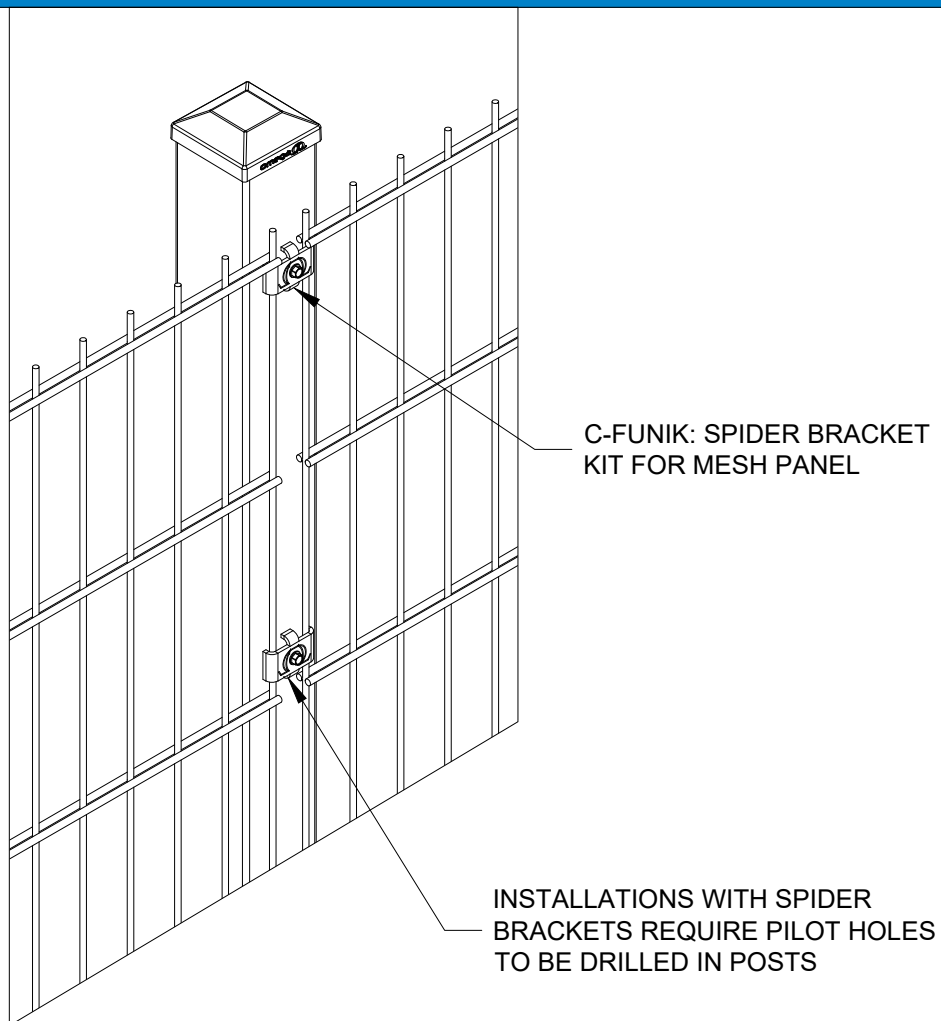
C-SPFNKGV



SIDE BY SIDE PANEL CONNECTING
ATTACHMENT KIT

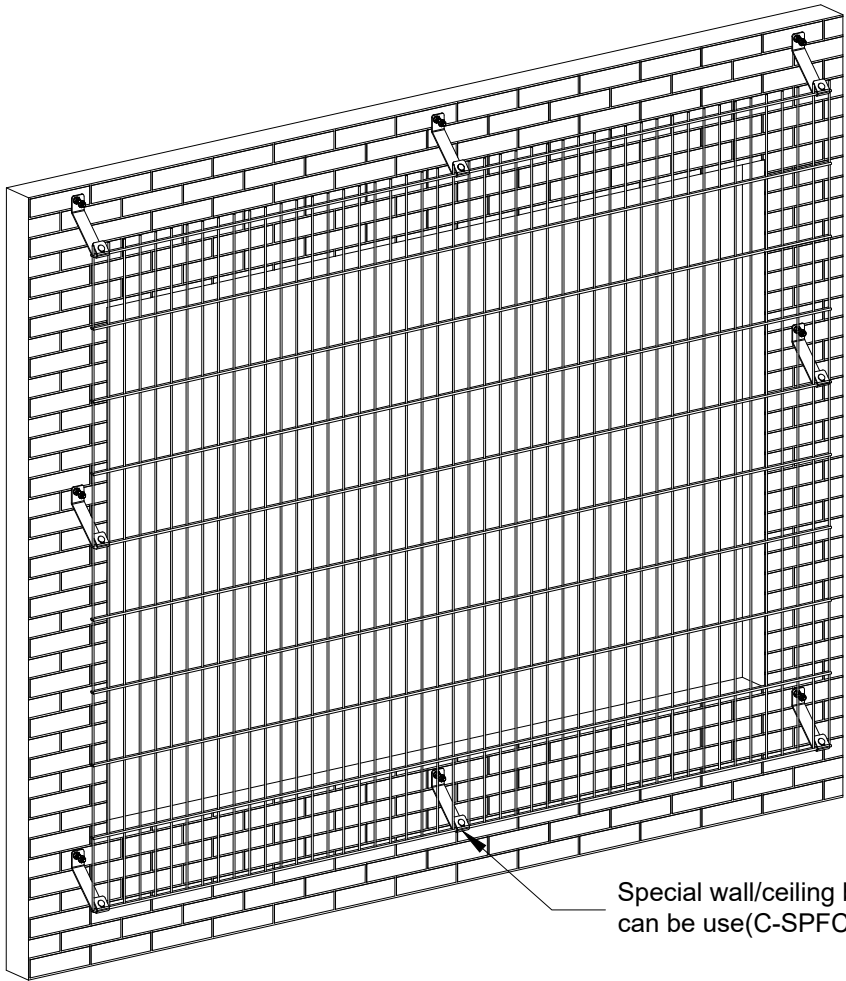
C-ENDTOEND1KBK

INSTALLATION EVOLUTION DOUBLE WIRE PANEL FACE MOUNTING (C-FUNIK)



SPECIAL PANEL FITTING AND BRACKET FOR EVOLUTION DOUBLE WIRE

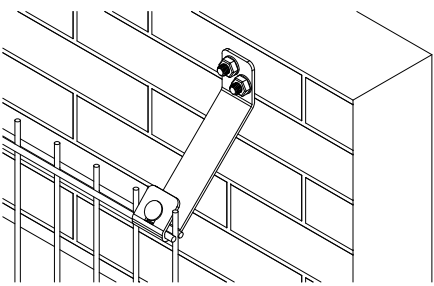
Special bracket kit for wall or window



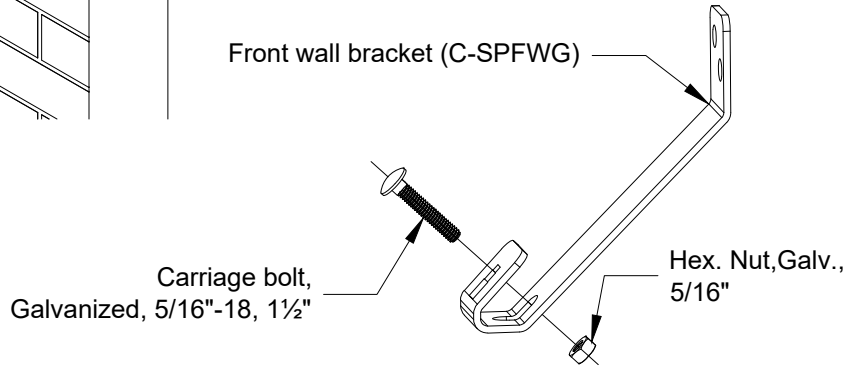
Special wall/ceiling bracket kit can be use(C-SPFCKGV)

For the installation, use four (4) bracket at each corner with one at a minimum of 4' from each other

Special bracket kit (C-SPFWGAK) for an installation on front wall

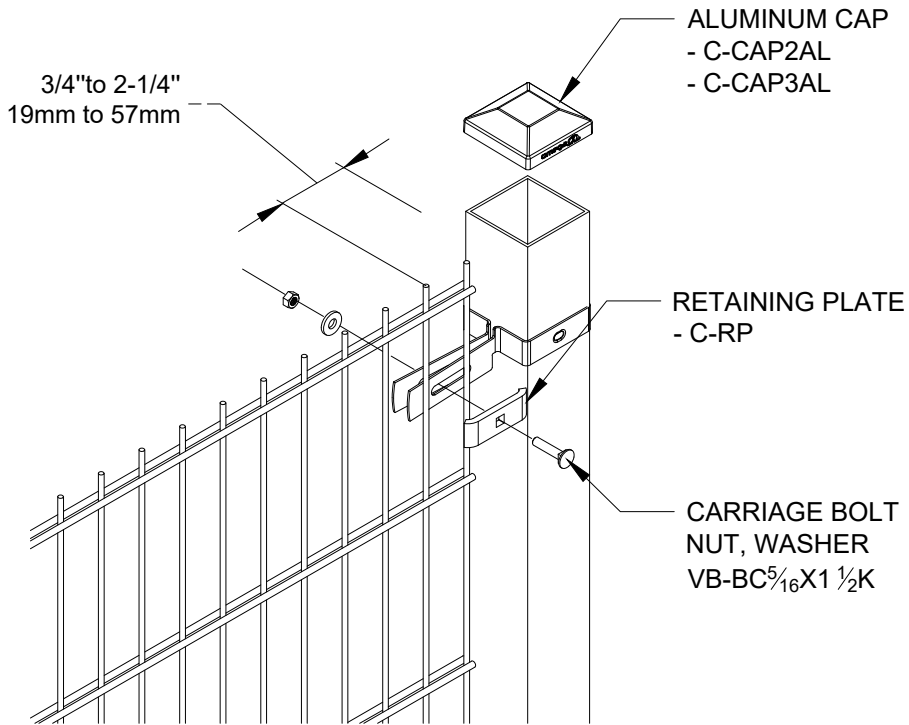


Special bracket kit (C-SPFWGEEK) for EVO double wire

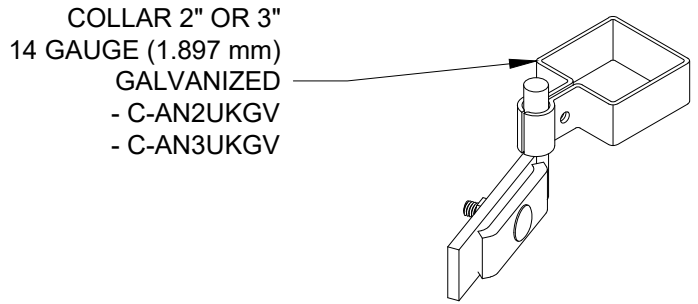
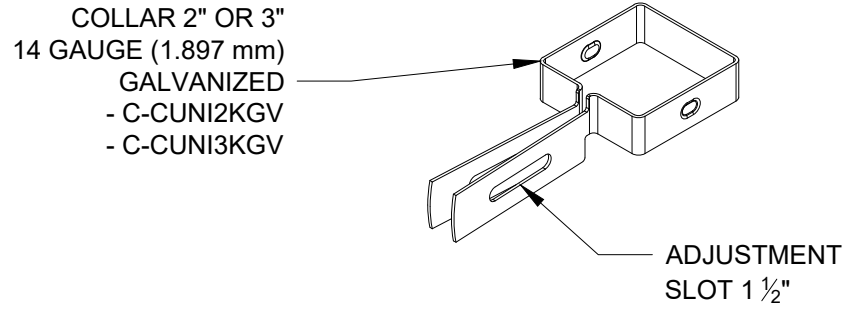
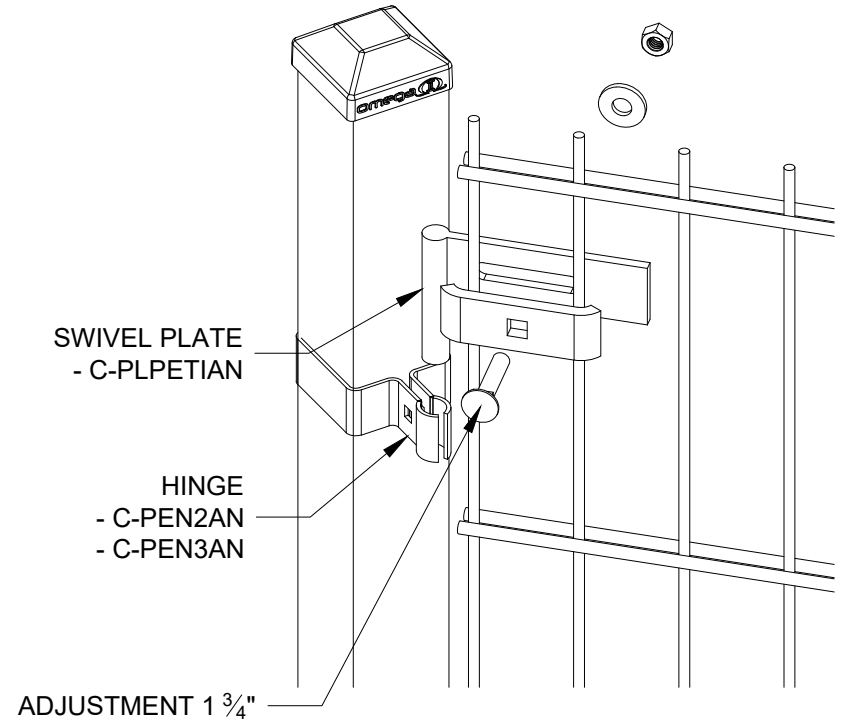


Height of panels	Width of panels	Number of bracket kits per panels
4'	4'	8
	6'	8
	8'	10
6'	4'	8
	6'	8
	8'	10
8'	4'	10
	6'	10
	8'	12

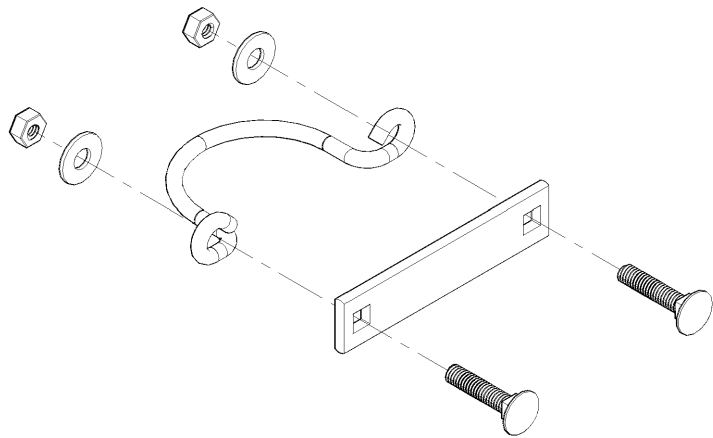
UNIVERSAL BRACKET KIT 2" & 3"



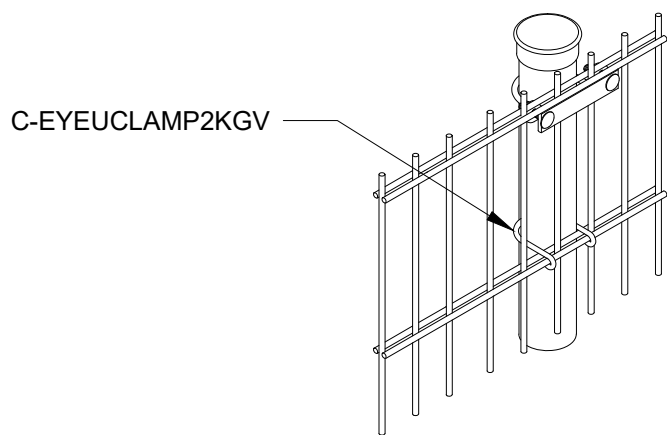
UNIVERSAL ANGLE KIT 2" & 3"



EVOLUTION BRACKET KITS FOR ROUND POSTS



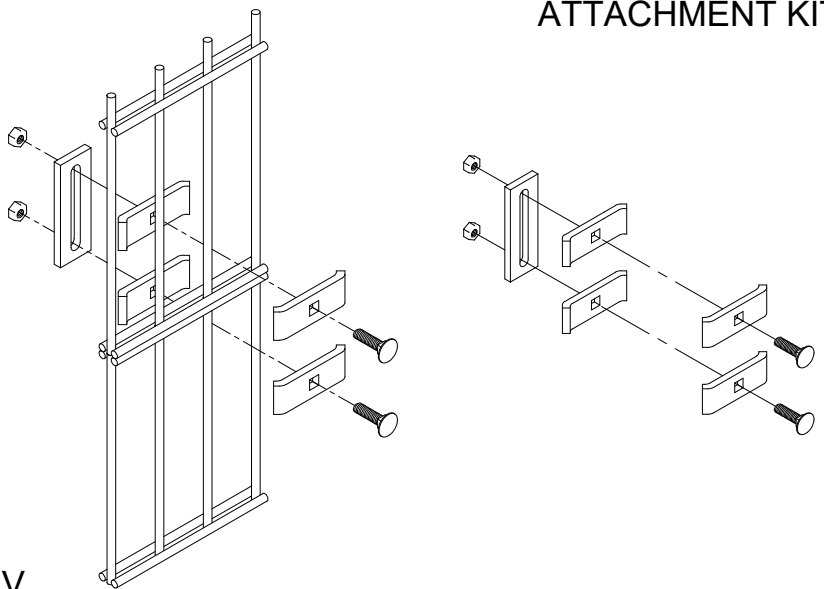
EYE-U-CLAMP C-EYEUCLAMP2KGV



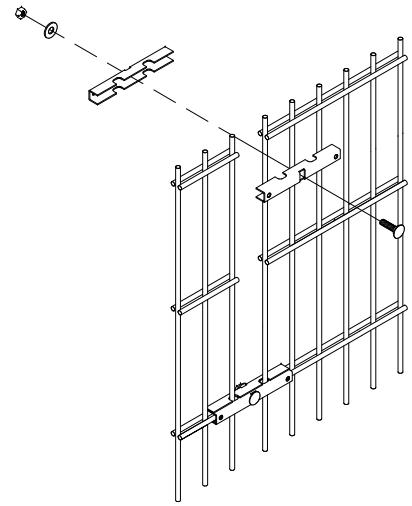
C-EYEUCLAMP2KGV

OPTION : STANDARD CHAIN-LINK
TIE WIRE OR TWIST TIE

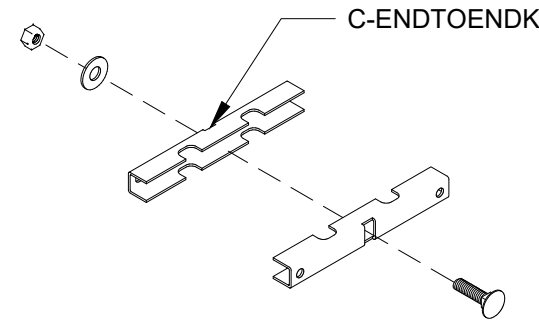
STACKED PANEL CONNECTING ATTACHMENT KIT



C-SPFPKGV



END-TO-END CONNECTOR



C-ENDTOENDK

EVOLUTION DOUBLE WIRE PANEL STANDARD INSTALLATION

SQUARE POSTS INSTALLATION WITH UNIVERSAL BRACKET KIT 14 GA

GRADING
THE GROUND SHALL BE GRADED TO AN EASY EVEN SLOPE ALL ALONG THE LENGTH OF THE AREA WHERE THE FENCE IS TO BE INSTALLED.

INSTALLATION
INSTALL THE FENCE ALONG THE SPECIFIED AREA. THE FENCE SHALL BE INSTALLED A DISTANCE OF A MINIMUM OF 1" (25 mm) AND MAXIMUM OF 4" (100 mm) ABOVE THE GROUND SURFACE.

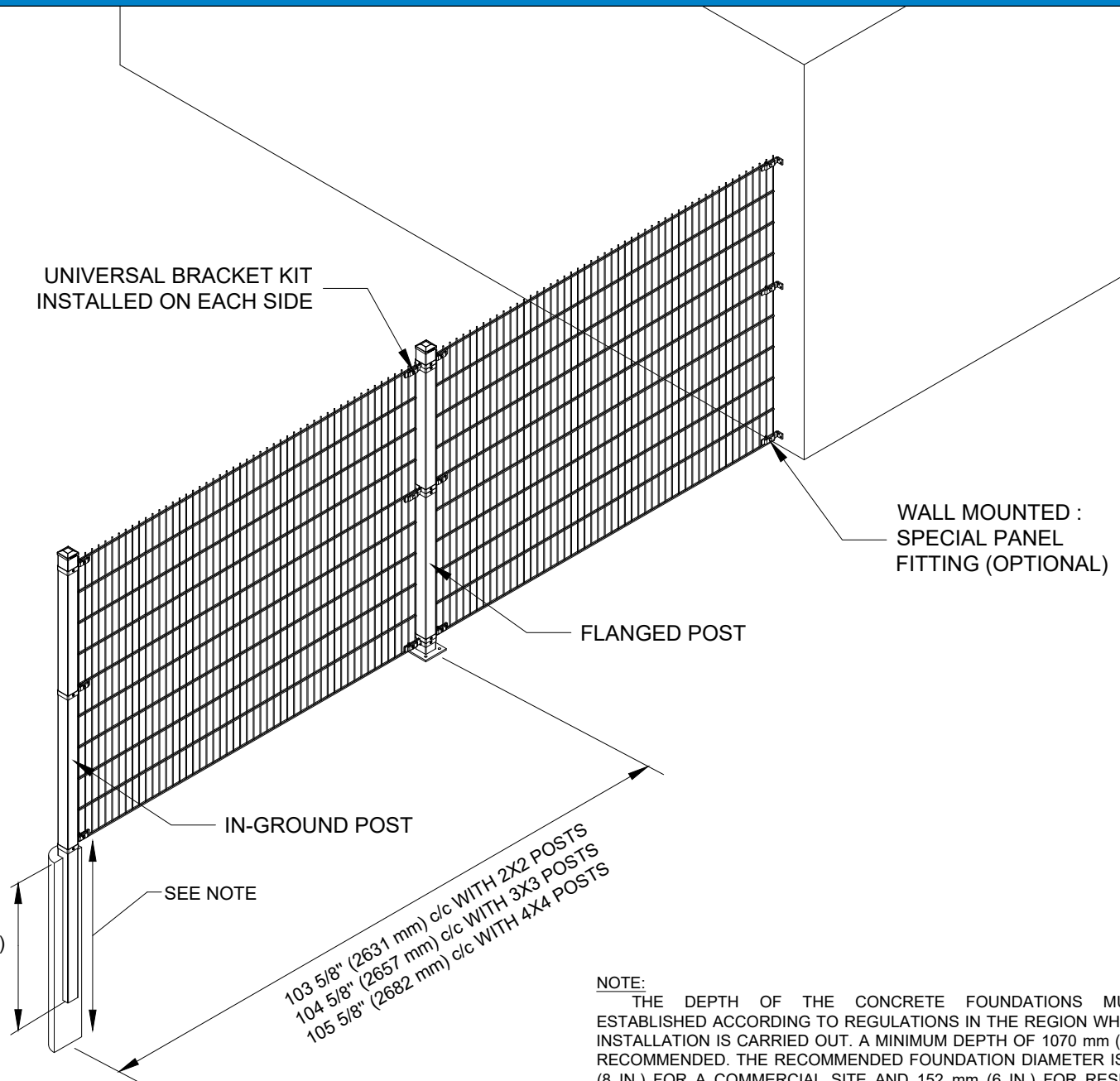
INSERT ALL THE POSTS VERTICALLY AT ITS PROPER HEIGHT IN CONCRETE. ONCE THE CONCRETE IS SET, THE MESH SECTIONS ARE FASTENED TO THE POSTS WITH THE UNIVERSAL BRACKET KITS. THE BRACKETS SLOT ALLOWS FOR ADJUSTMENTS OF ±1-1/2" (38 mm).

WHEN ANY POST OR WIRE MESH SECTION IS FIELD CUT, A ZINC RICH PRIMER MUST BE APPLIED TO THE EXPOSED ENDS; AFTER, AN OMEGA TOUCH-UP PAINT MATCHING THE PROPER COLOR SHALL BE USED.

THE MESH SHALL BE INSTALLED ACCORDING TO OWNERS INSTRUCTIONS WITH THE FOLLOWING OPTIONS:

- 1) PICKETS UPWARDS (SHOWN) OR DOWNWARDS

FOR LARGER FENCE DETAILS, VISIT OUR WEB SITE'S TECHNICAL PAGE



NOTE:
THE DEPTH OF THE CONCRETE FOUNDATIONS MUST BE ESTABLISHED ACCORDING TO REGULATIONS IN THE REGION WHERE THE INSTALLATION IS CARRIED OUT. A MINIMUM DEPTH OF 1070 mm (42 IN.) IS RECOMMENDED. THE RECOMMENDED FOUNDATION DIAMETER IS 200 mm (8 IN.) FOR A COMMERCIAL SITE AND 152 mm (6 IN.) FOR RESIDENTIAL INSTALLATION. REGULATIONS OF THE REGION TAKES PRECEDENCE OVER THE SPECIFICATIONS MENTIONED ABOVE.

SQUARE POST
INSTALLATION WITH
SPIDER BRACKET

GRADING

THE GROUND SHALL BE GRADED TO AN EASY EVEN SLOPE ALL ALONG THE LENGTH OF THE AREA WHERE THE FENCE IS TO BE INSTALLED.

INSTALLATION

INSTALL THE FENCE ALONG THE SPECIFIED AREA. THE FENCE SHALL BE INSTALLED A DISTANCE OF A MINIMUM OF 1" (25 mm) AND MAXIMUM OF 2" (50 mm) ABOVE THE GROUND SURFACE.

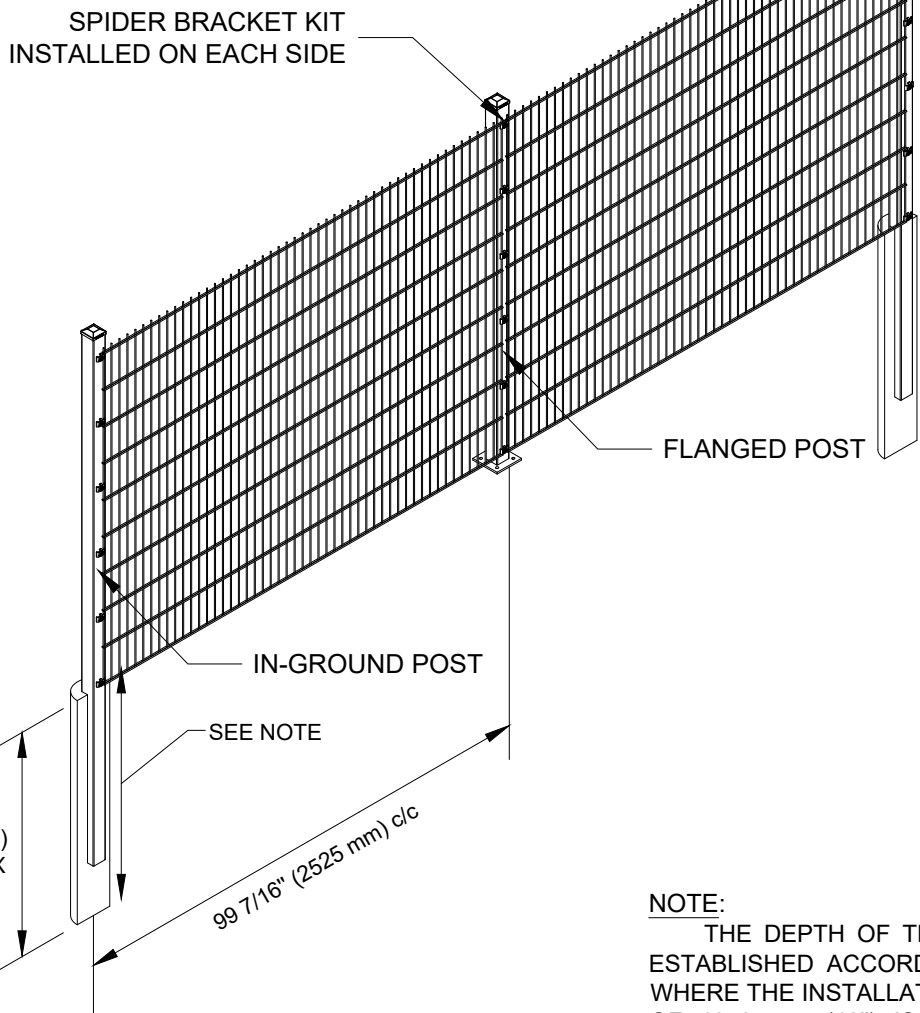
INSERT ALL THE POSTS VERTICALLY AT ITS PROPER HEIGHT IN CONCRETE. ONCE THE CONCRETE IS SET, THE MESH SECTIONS ARE FASTENED TO THE POSTS WITH THE UNIVERSAL BRACKET KITS. THE BRACKETS SLOT ALLOWS FOR ADJUSTMENTS OF ±1-1/2" (38 mm).

WHEN ANY POST OR WIRE MESH SECTION IS FIELD CUT, A ZINC RICH PRIMER MUST BE APPLIED TO THE EXPOSED ENDS AFTER, AN OMEGA TOUCH-UP PAINT MATCHING THE PROPER COLOR SHALL BE USED.

THE MESH SHALL BE INSTALLED ACCORDING TO OWNERS INSTRUCTIONS WITH THE FOLLOWING OPTIONS :

- 1) PICKETS UPWARDS (SHOWN) OR DOWNWARDS

FOR LARGER FENCE DETAILS, VISIT OUR WEBSITE'S TECHNICAL PAGE



NOTE:
THE DEPTH OF THE CONCRETE FOUNDATIONS MUST BE ESTABLISHED ACCORDING TO REGULATIONS IN THE REGION WHERE THE INSTALLATION IS CARRIED OUT. A MINIMUM DEPTH OF 1070 mm (42") IS RECOMMENDED. THE RECOMMENDED FOUNDATION DIAMETER IS 200 mm (8") FOR A COMMERCIAL SITE AND 152 mm (6") FOR A RESIDENTIAL INSTALLATION. REGULATIONS OF THE REGION TAKES PRECEDENCE OVER THE SPECIFICATIONS MENTIONED ABOVE.

UNIVERSAL ANGLE BRACKET KITS FOR EVOLUTION DOUBLE WIRE

IMPORTANT DETAILS ON INSTALLING THE UNIVERSAL ANGLE BRACKET KIT

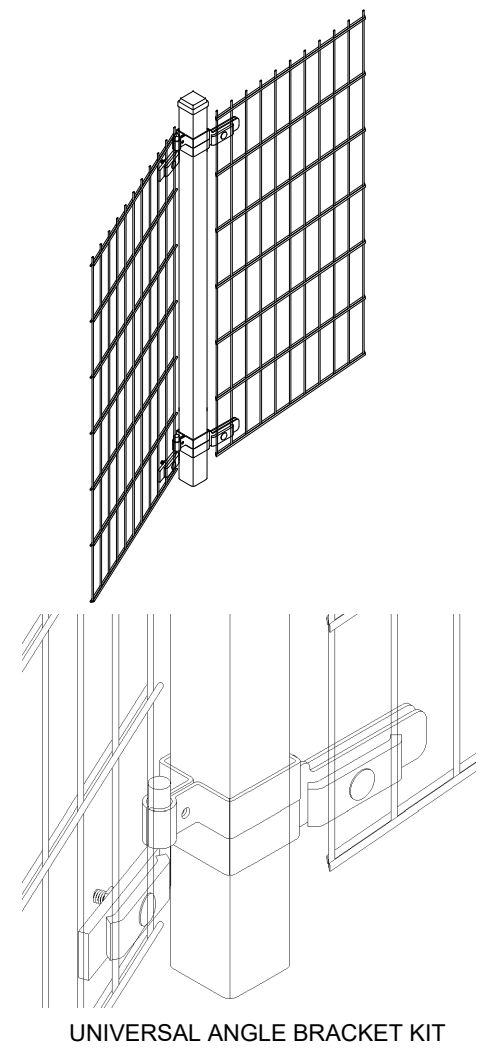
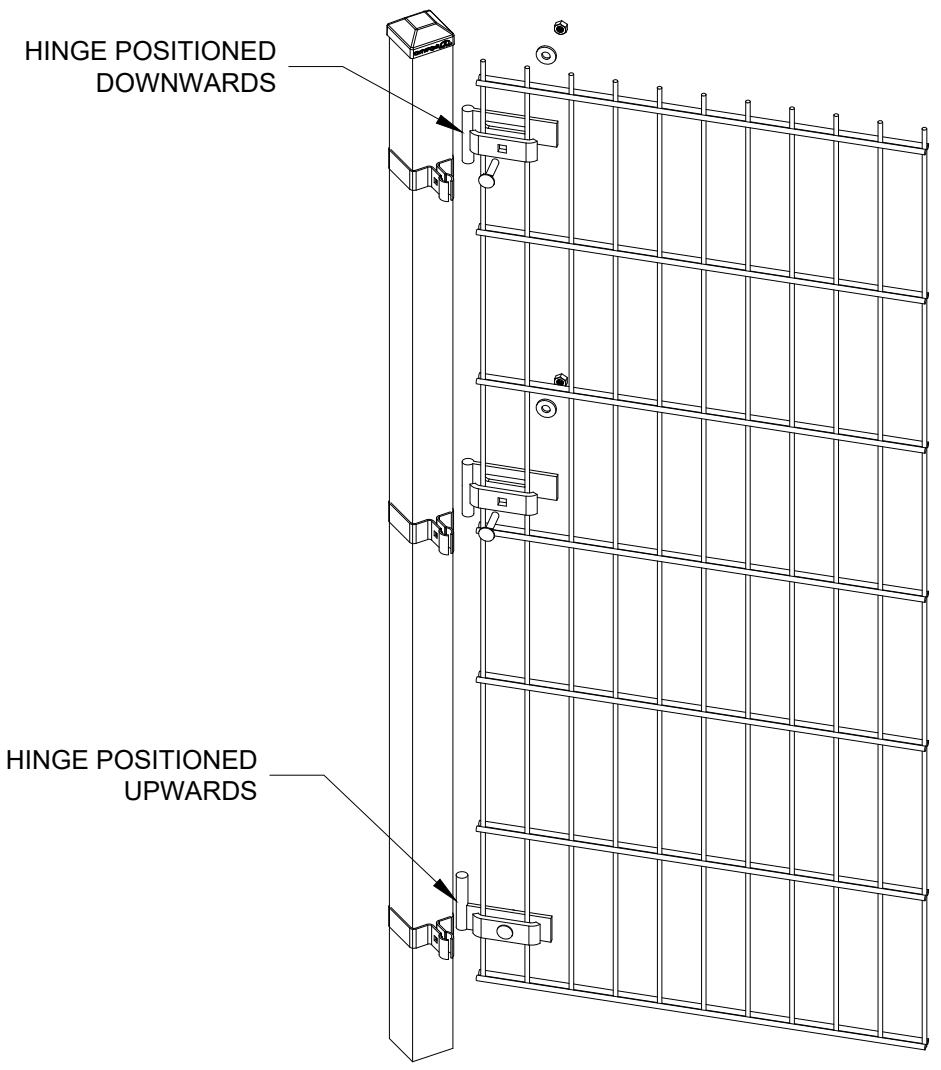
RECOMMENDATIONS

IT IS VERY IMPORTANT WHEN INSTALLING TO PAY SPECIAL ATTENTION TO THE ORIENTATION OF THE HINGES.

FOR SECURITY REASONS AND FOR EQUIPMENT PROTECTION, AT LEAST TWO HINGES MUST BE POSITIONED IN OPPOSITE DIRECTIONS.

THE FOLLOWING FIGURE ILLUSTRATES THE DETAILS OF THE INSTALLATION.

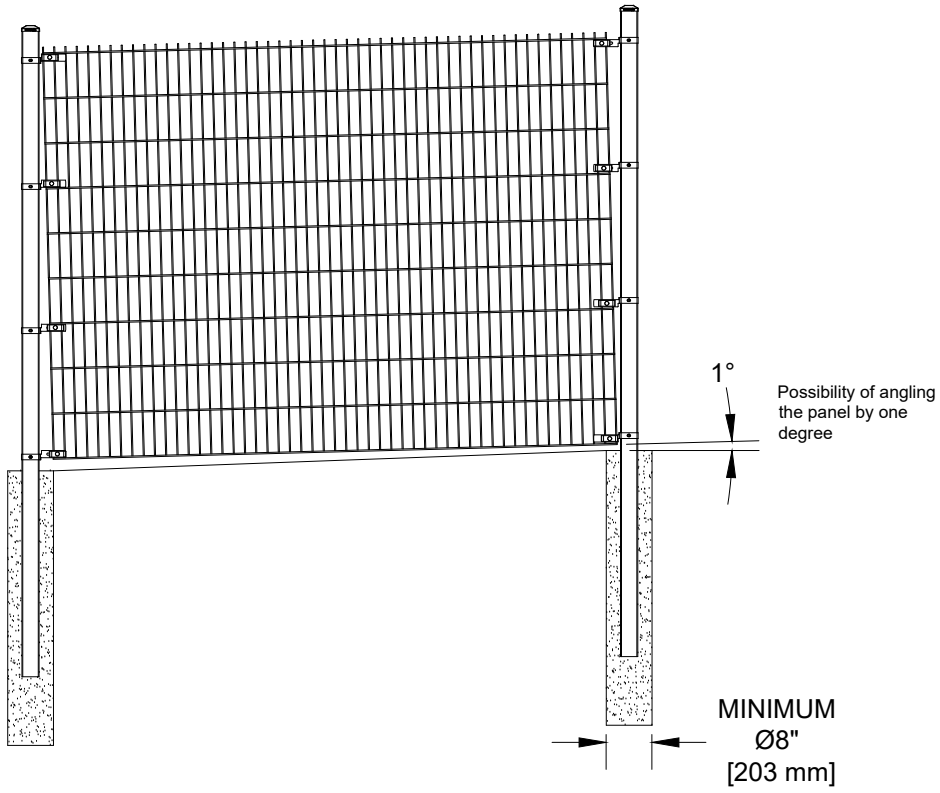
NOTES:
FOR COLORS OTHER THAN BLACK, ALL PIECES ARE POWDER COATED EXCEPT BOLT, SCREWS AND NUTS



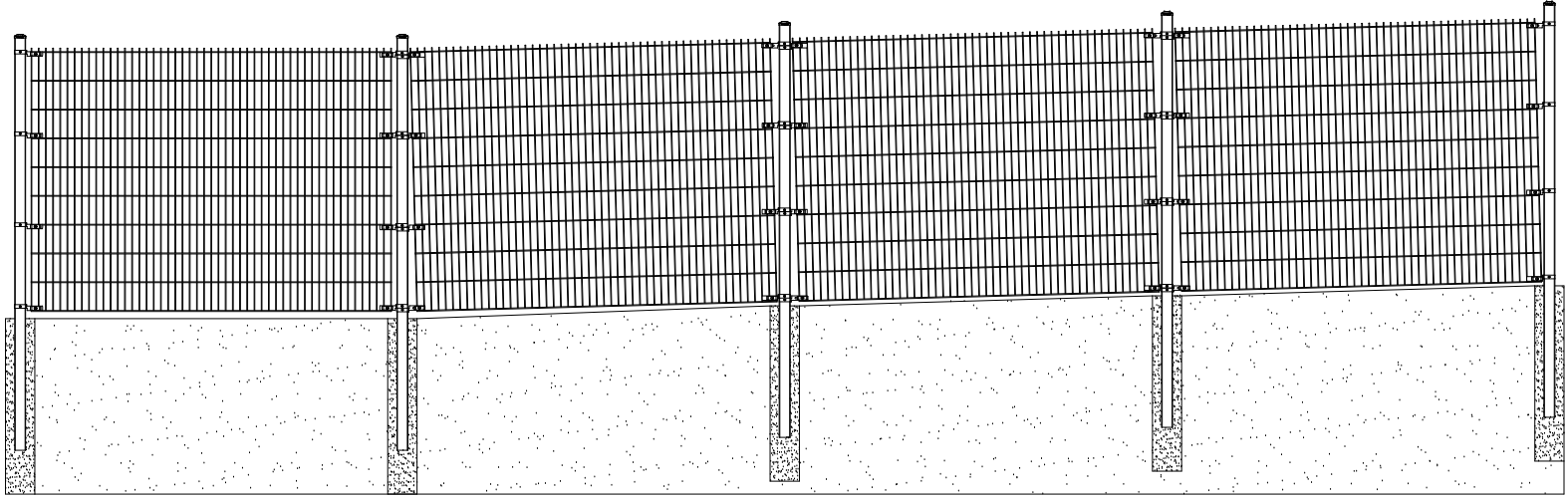
ANGLE INSTALLATION:
INSERT ONLY THE FIRST VERTICAL WIRE INTO RETAINING PLATE, ANGLE PANEL AND TIGHTEN THE NUT.

EVOLUTION DOUBLE WIRE PANEL INSTALLATION ON A GRADUAL SLOPE

**SLOPE INSTALLATION:
ANGLE THE PANEL BEFORE
ATTACHING THE BRACKET**

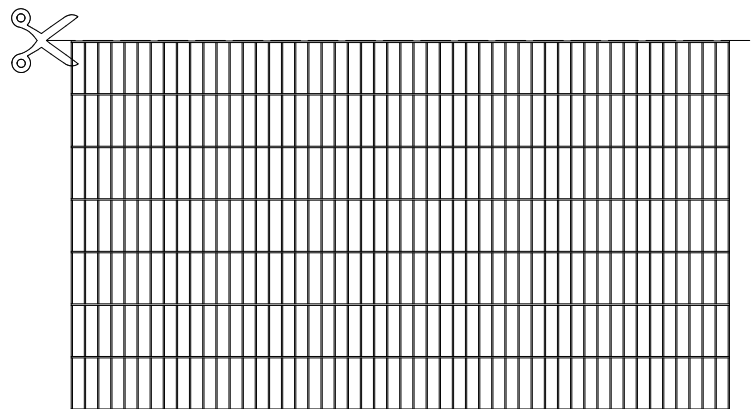


NOTE:
THE DEPTH OF THE CONCRETE FOUNDATIONS MUST BE ESTABLISHED ACCORDING TO REGULATIONS IN THE REGION WHERE THE INSTALLATION IS CARRIED OUT. A MINIMUM DEPTH OF 42 in. (1070 mm) IS RECOMMENDED. THE RECOMMENDED FOUNDATION DIAMETER IS 8 in. (200 mm) FOR A COMMERCIAL SITE AND 6 in. (152 mm) FOR RESIDENTIAL INSTALLATION, REGULATIONS OF THE REGION TAKES PRECEDENCE OVER THE SPECIFICATIONS MENTIONED ABOVE.



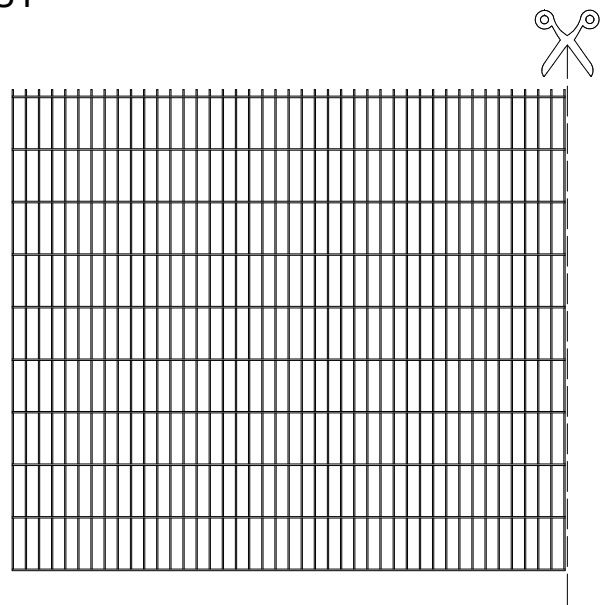
EVOLUTION DOUBLE WIRE CUTTING OPTIONS

HORIZONTAL CUT



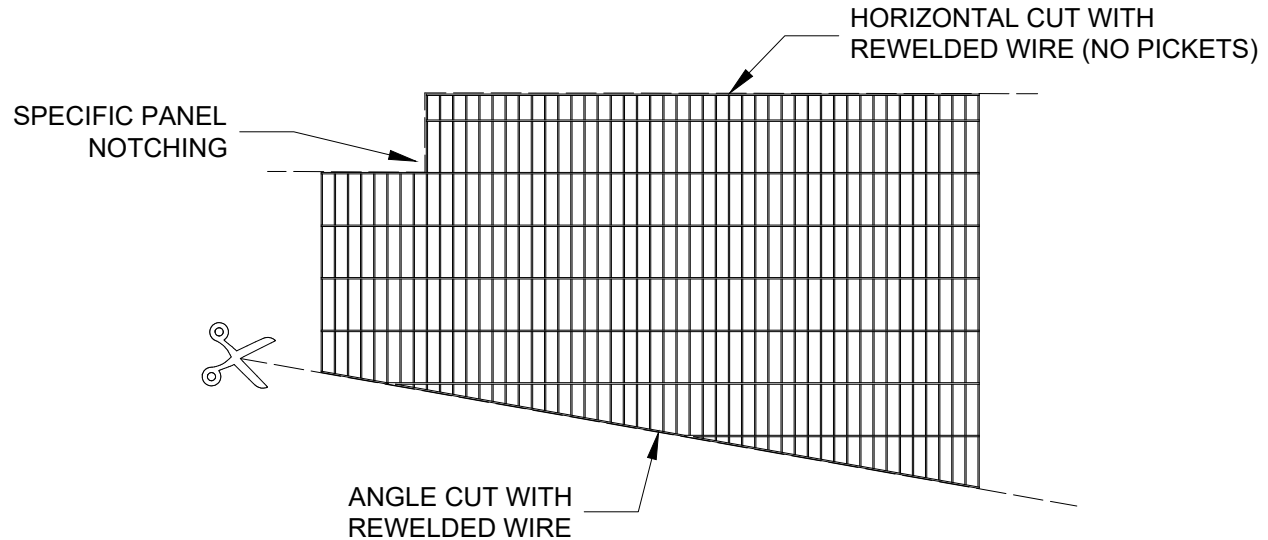
OPTIONAL PICKETS SHALL BE NO MORE THAN 1" FOR VERTICAL WIRES
NOTE : ALWAYS CUT ALONG CLOSEST WIRE

VERTICAL CUT



NOTE : ALWAYS CUT ALONG CLOSEST WIRE

ANGLE CUT, CUSTOM CUT OR COMBINATION



REQUIRES RE-WELDED WIRE TO AVOID LONG PICKETS



Omega II Fence Systems
1735, Blvd. St-Elzéar West
Laval, Quebec
H7L 3N6

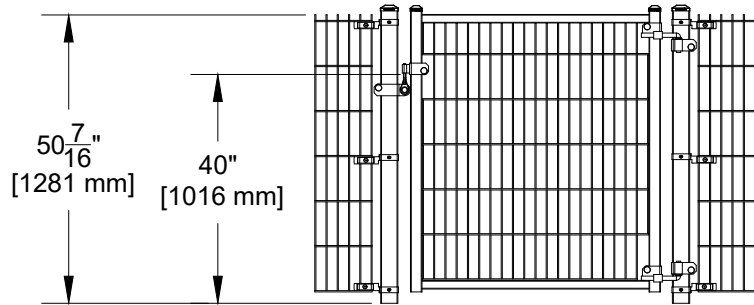
Tel: 450-686-9600
1-800-836-6342
Fax: 450-681-5318
www.omegafence.com

EV-10

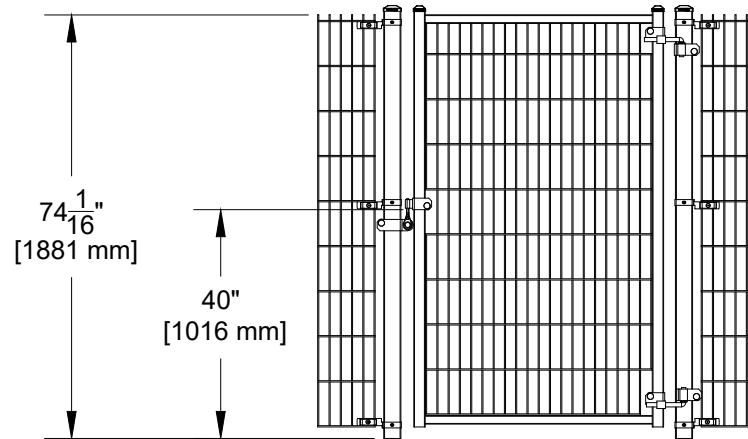
REVISION : 09/21

EVOLUTION DOUBLE WIRE SWING GATES MODEL GPM30

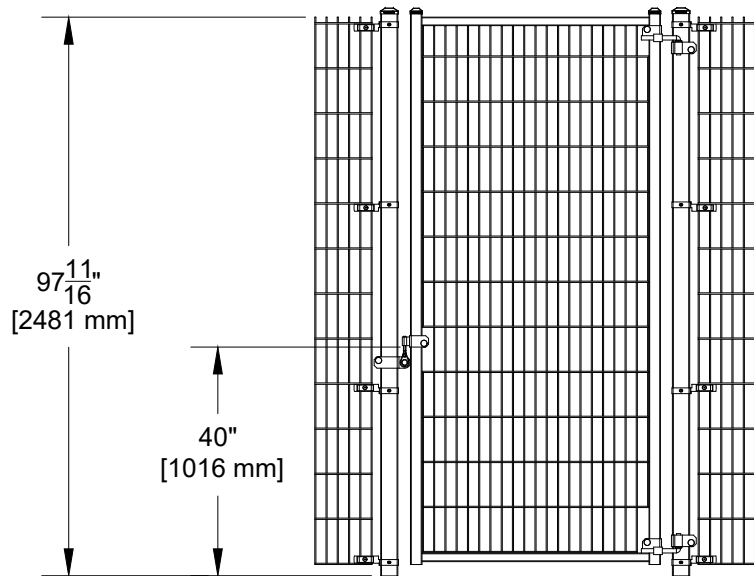
C-GPM30XX48



C-GPM30XX72



C-GPM30XX96



SURFACE FINISH

ALL OMEGA DOUBLE WIRE - EVOLUTION GATES HAVE A HOT GALVANIZED STEEL FINISH
FOR MORE INFORMATION, PLEASE REFER TO SPECIFICATIONS.



Système de Clôture Omega II
1735, Boul. St-Elzéar Ouest
Laval, Québec
H7L 3N6

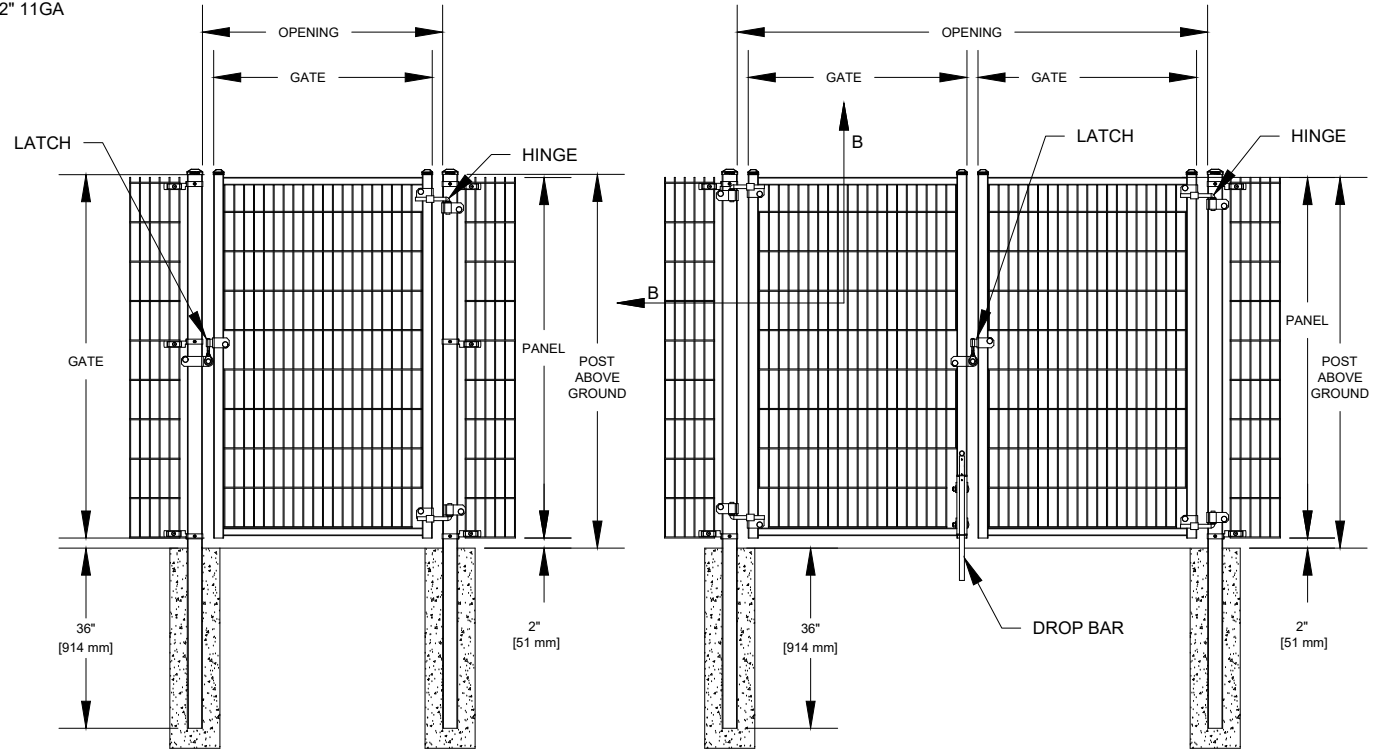
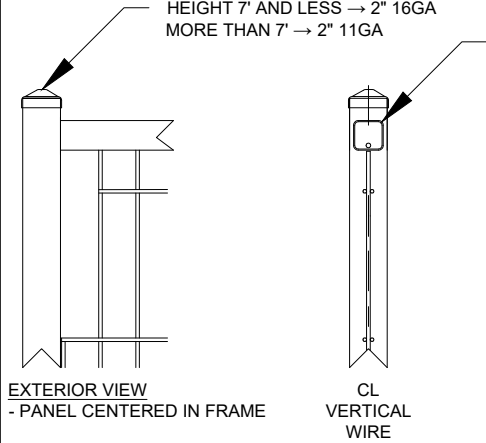
Tel: 450-686-9600
1-800-836-6342
Fax: 450-681-5318
www.omegafence.com

EVOLUTION DOUBLE WIRE SINGLE & DOUBLE SWING GATE MODEL GPM30

SECTION B-B FRAME & PANEL

PRE-GALV SQUARE TUBE,
HEIGHT 7' AND LESS → 2" 16GA
MORE THAN 7' → 2" 11GA

PRE-GALV SQUARE TUBE,
OPENING 19' AND LESS → 1,5" 16GA
MORE THAN 19' → 2" 11GA



Evolution			
Panel	Minimum opening*	Maximum opening*	Post
4'-0"	3'	11'	3" x 3" 11 ga
	>11'	16'	4" x 4" 11ga
	>16'	19'	6" x 6" 3/16"
6'-0"	3'	9'	3" x 3" 11 ga
	>9'	13'	4" x 4" 11ga
	>13'	19'	6" x 6" 3/16"
8'-0"	3'	7'	3" x 3" 11 ga
	>7'	9'	4" x 4" 11ga
	>9'	19'	6" x 6" 3/16"

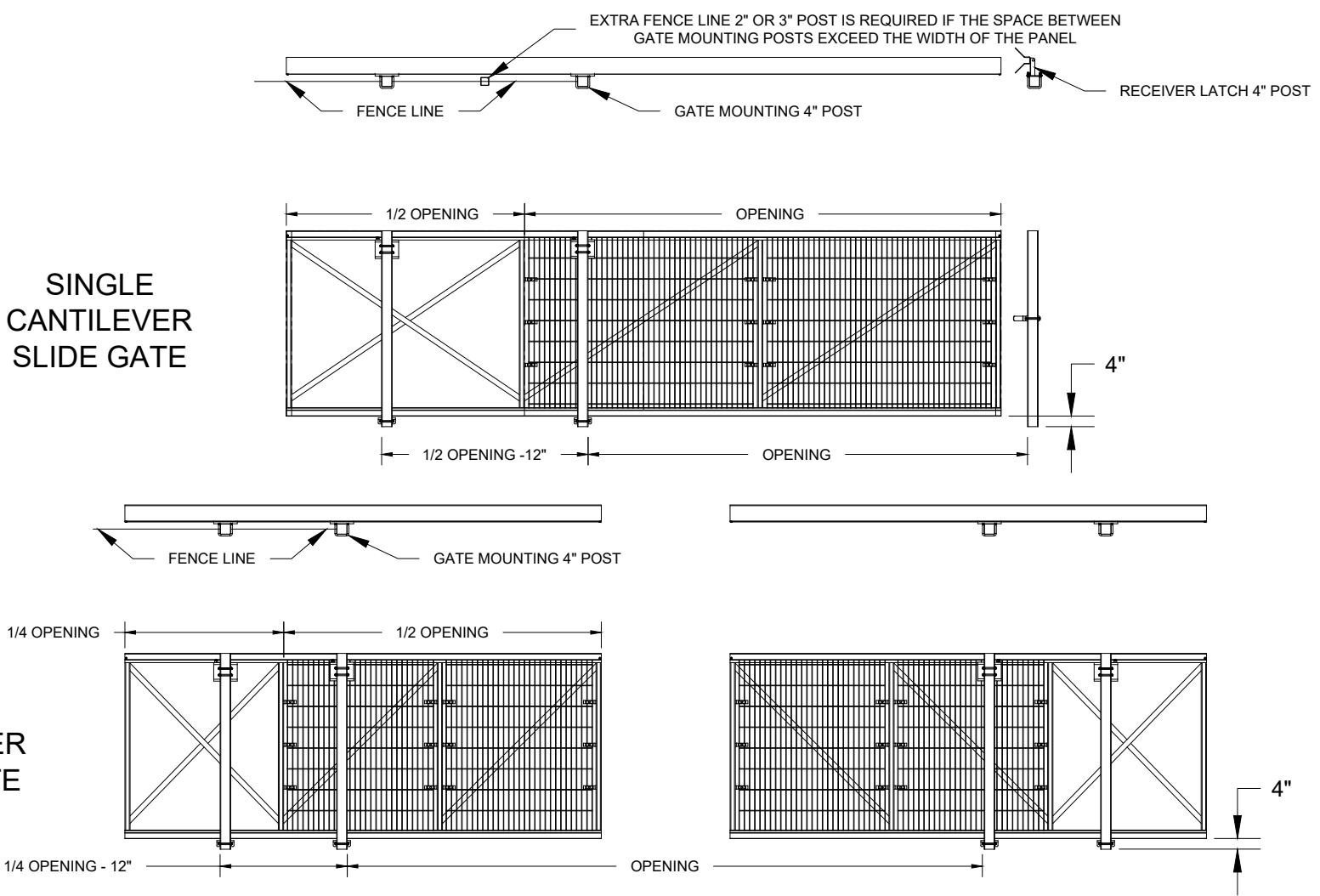
*ALL OPENING ARE BASED ON THE SIMPLE DOOR MODEL

• HINGES AND LATCHES CAN BE INSTALLED ON EITHER SIDE

NOTE:

THE DEPTH OF THE CONCRETE FOUNDATIONS MUST BE ESTABLISHED ACCORDING TO REGULATIONS IN THE REGION WHERE THE INSTALLATION IS CARRIED OUT. A MINIMUM DEPTH OF 42 in. (1070 mm) IS RECOMMENDED. THE RECOMMENDED FOUNDATION DIAMETER IS 8 in. (200 mm) FOR A COMMERCIAL SITE AND 6 in. (152 mm). FOR RESIDENTIAL INSTALLATION, REGULATIONS OF THE REGION TAKES PRECEDENCE OVER THE SPECIFICATIONS MENTIONNED ABOVE.

EVOLUTION DOUBLE WIRE CANTILEVER SLIDE ALUMINIUM GATE



TUBE BRACED CANTILEVER SLIDE:

THE ALUMINUM CANTILEVER GATES ARE CONSTRUCTED WITH AN UPPER AND LOWER TRACK, FABRICATED FROM OF 6061-T6 ALUMINIUM ALLOY EXTRUSIONS. THE UPPER AND LOWER TRACKS SHALL BE WELDED AND/OR BOLTED TO 2"x2"x.125". EACH FRONT SECTION SHALL HAVE ONE DIAGONAL BRACE OF 1"x2"x.125 WALL ALUMINIUM TUBE. EACH TAIL SECTION OF THE GATE SHALL BE X-BRACED WITH TWO 1"x2"x.125 WALL ALUMINIUM TUBE. THE FABRIC SHALL BE HELD IN PLACE BY CARRIAGE BOLTS & NUTS.. GATES WITH BARBWIRE SHALL USE BRACE BANDS AND BOLTS TO HOLD THE WIRE IN PLACE. ALUMINUM CANTILEVER GATES ARE AVAILABLE IN ALUMINUM ONLY AND CAN BE ORDERED AS MODULAR/KNOCK-DOWN GATES, IDEAL FOR TRANSPORTING TALL GATES. THESE COME READY TO ASSEMBLE WITH ALL HOLES PREDRILLED FOR 1/2" BOLTS, WHICH ARE SUPPLIED FOR ASSEMBLY.

GATE POSTS:

THE 4" POSTS ARE MADE OF GALVANIZED STEEL. PROVIDE 1 LATCH POST AND 2 SUPPORT POSTS FOR SINGLE SLIDE GATE AND 4 SUPPORT POSTS FOR DOUBLE SLIDE GATES.



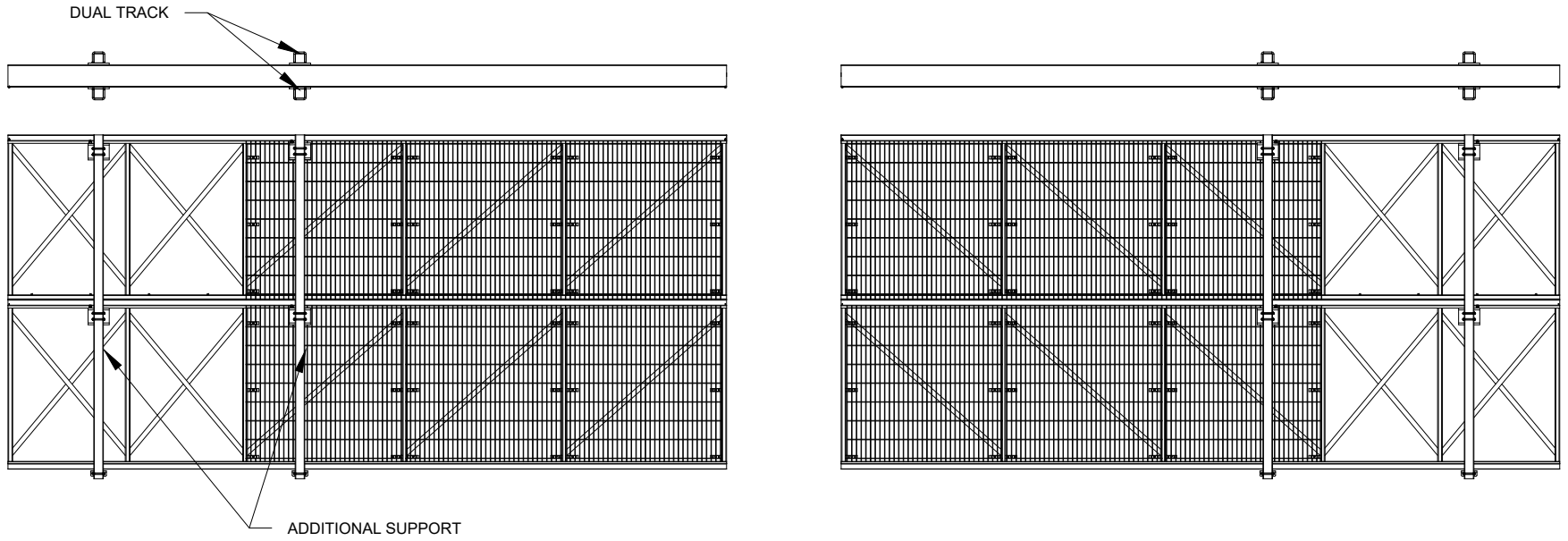
Omega II Fence Systems
 1735, Blvd. St-Elzéar West
 Laval, Quebec
 H7L 3N6

Tel: 450-686-9600
 1-800-836-6342
 Fax: 450-681-5318
www.omegafence.com

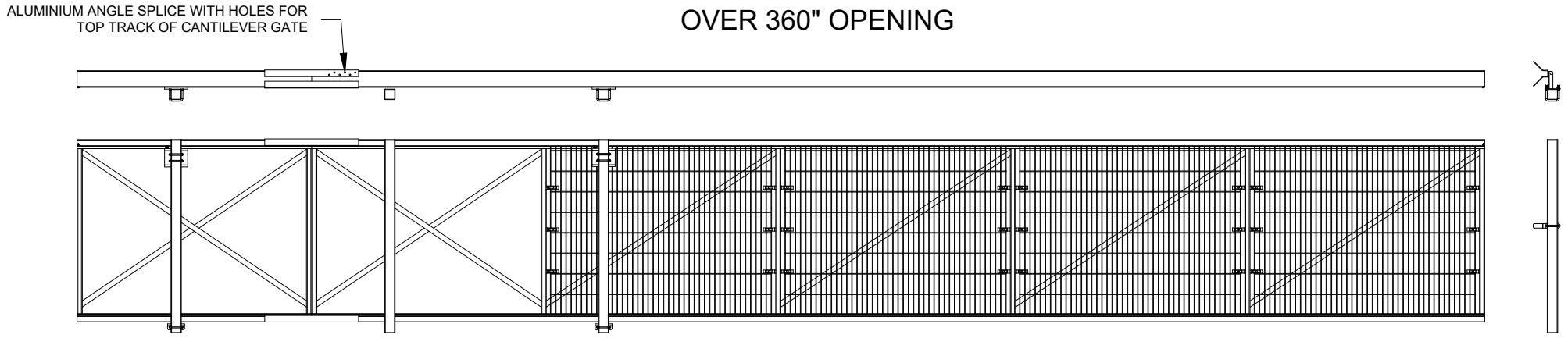
EV-13

REVISION : 09/21

CANTILEVER DOUBLE
SLIDE GATE OVER 8' HIGH



CANTILEVER SLIDE GATE
OVER 360" OPENING



SURFACE COATING
ALL OMEGA DOUBLE WIRE - EVOLUTION GATES HAVE A HOT GALVANIZED STEEL FINISH
FOR MORE INFORMATION, PLEASE REFER TO SPECIFICATIONS.



Omega II Fence Systems
1735, Blvd. St-Elzéar West
Laval, Quebec
H7L 3N6

Tel: 450-686-9600
1-800-836-6342
Fax: 450-681-5318
www.omegafence.com