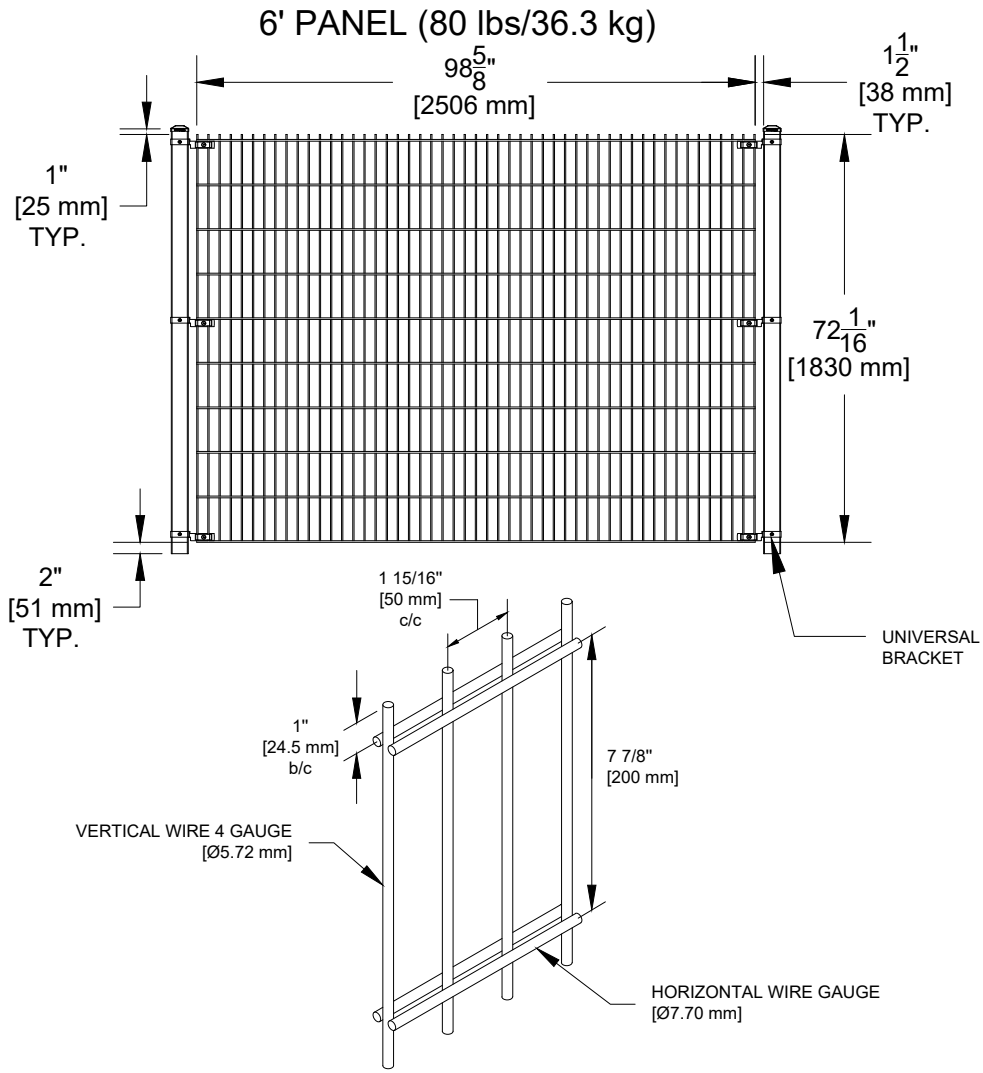
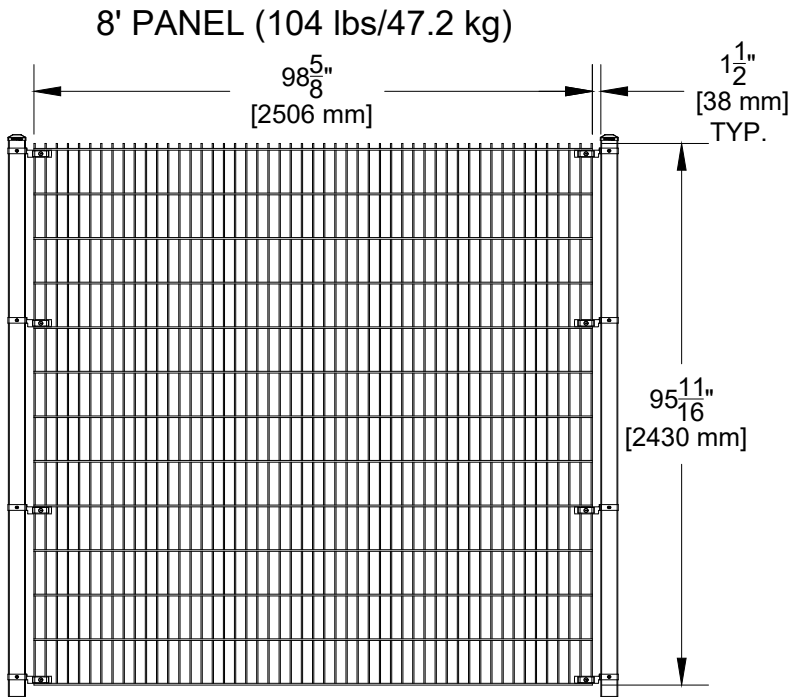
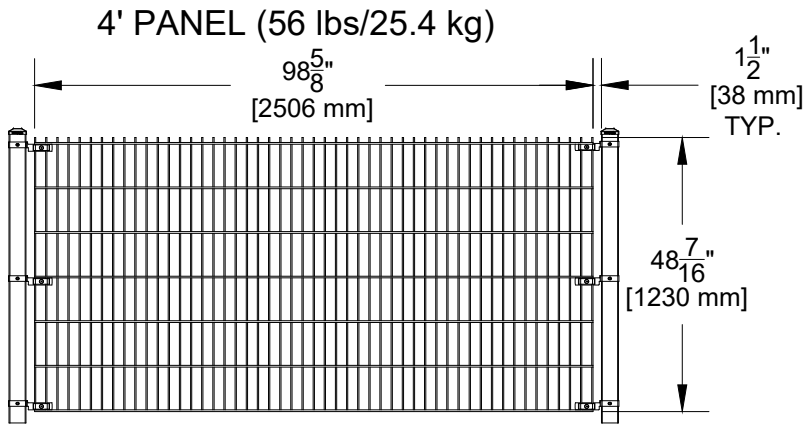


SECUR DOUBLE WIRE



PRODUCT	PRODUCT NUMBER
4' PANEL	C-SE48BK
6' PANEL	C-SE72BK
8' PANEL	C-SE96BK
STANDARD BRACKET	C-SECU*KBK

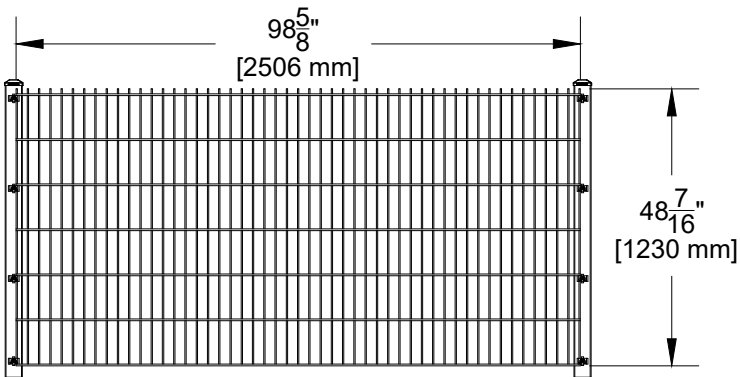
PANEL HEIGHT	NUMBER OF UNIVERSAL BRACKET KITS PER PANEL
4' (1.2 m)	6
6' (1.8 m)	6
8' (2.5 m)	8

*DIMENSION OF THE POST

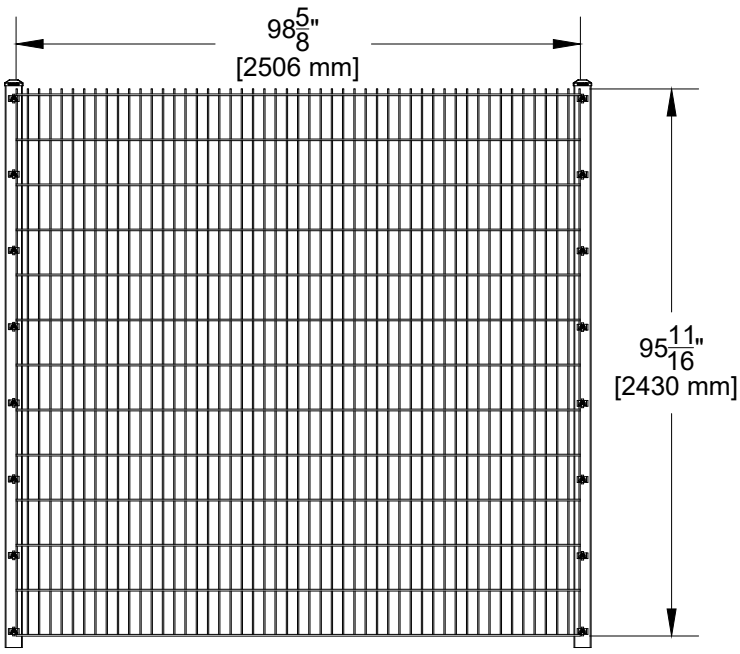
FOR MORE INFORMATION ON THESE PANELS, PLEASE REFER TO SPECIFICATIONS.

SECUR DOUBLE WIRE PANELS FACE MOUNTED - SPIDER BRACKET

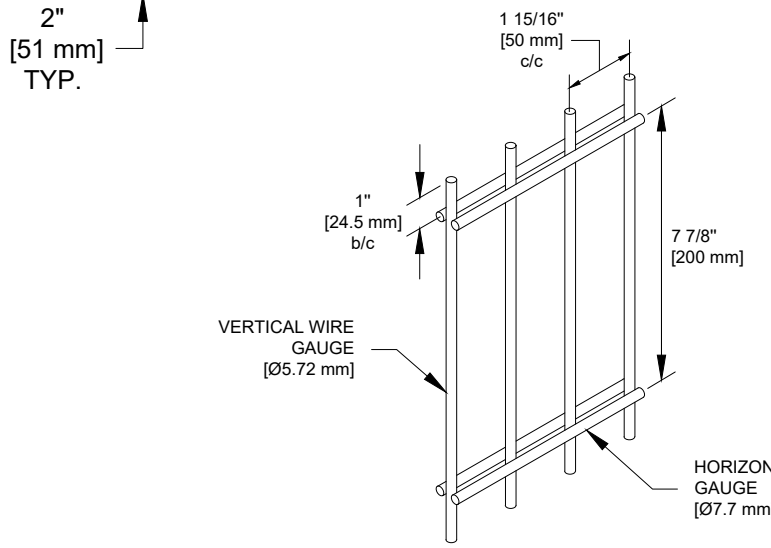
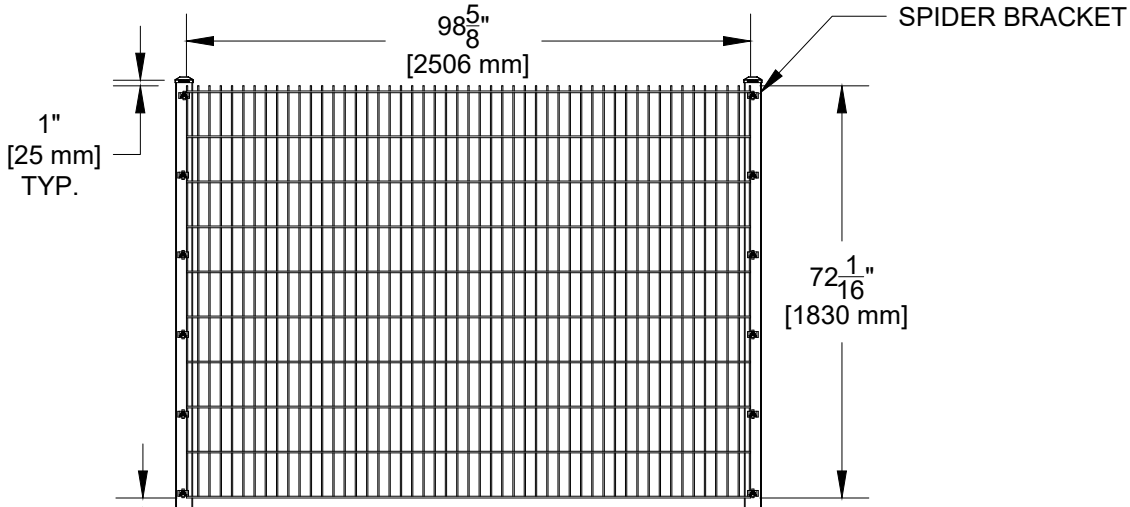
4' PANEL (56 lbs/25.4 kg)



8' PANEL (104 lbs/47.2 kg)



6' PANEL (80 lbs/36.3 kg)



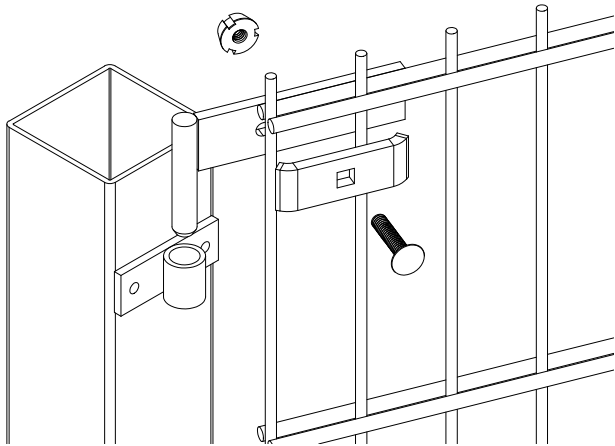
PRODUCT	PRODUCT NUMBER
4' PANEL	C-SE48BK
6' PANEL	C-SE72BK
8' PANEL	C-SE96BK
SPIDER BRACKET	C-FUNIK

PANEL HEIGHT	NUMBER OF SPIDER BRACKET KITS PER PANEL
4' (1.2 m)	8
6' (1.8 m)	12
8' (2.5 m)	16

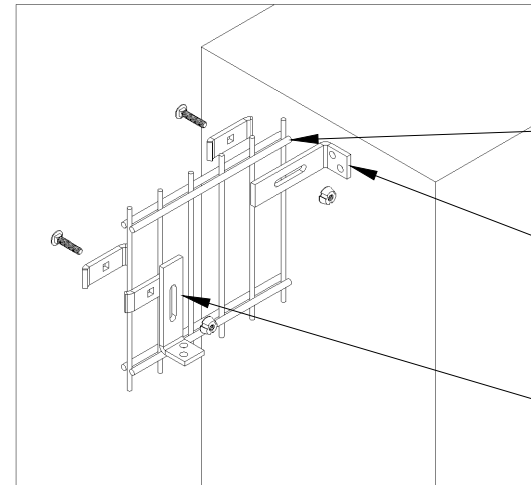
FOR MORE INFORMATION ON THESE PANELS, PLEASE REFER TO SPECIFICATIONS.

SPECIAL PANEL FITTINGS AND BRACKETS FOR SECUR DOUBLE WIRE

WALL/POST BRACKET KIT FOR ANGLE
C-SPFATKKBK



FLOOR/CEILING BRACKET KIT
C-SPFCTKKBK



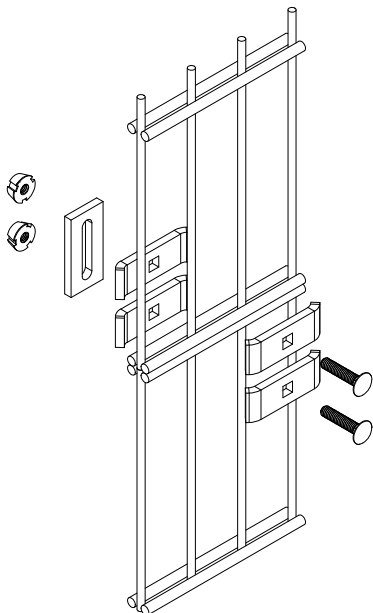
WALL/POST BRACKET KIT
C-SPFWTKKBK

WALL GAP
3/4" to 2-1/4"
19mm to 57mm

(C-SPFWTKKBK)
WALL BRACKET KIT

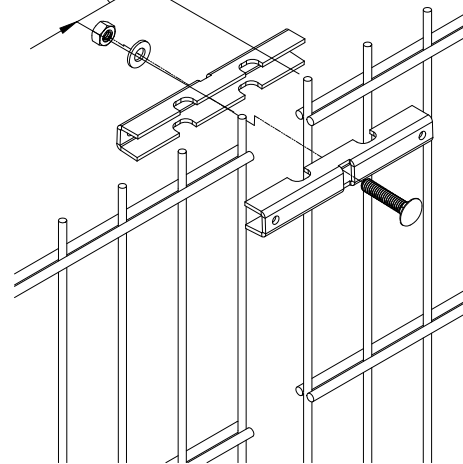
(C-SPFCTKKBK)
FLOOR OR CEILING
BRACKET KIT

STACKED PANEL CONNECTING ATTACHMENT KIT
C-SPFNKKBK



SIDE BY SIDE PANEL CONNECTING ATTACHMENT KIT
C-ENDTOEND1KKBK

3/4" to 4-1/4"
19mm to 108mm



SECUR DOUBLE WIRE PANEL STANDARD INSTALLATION

SQUARE POSTS INSTALLATION WITH UNIVERSAL BRACKET AND WALL MOUNT KIT 14 GA

GRADING

THE GROUND SHALL BE GRADED TO AN EASY EVEN SLOPE ALL ALONG THE LENGTH OF THE AREA WHERE THE FENCE IS TO BE INSTALLED.

INSTALLATION

INSTALL THE FENCE ALONG THE SPECIFIED AREA. THE FENCE SHALL BE INSTALLED A DISTANCE OF A MINIMUM OF 1" (25 mm) AND MAXIMUM OF 4" (100 mm) ABOVE THE GROUND SURFACE.

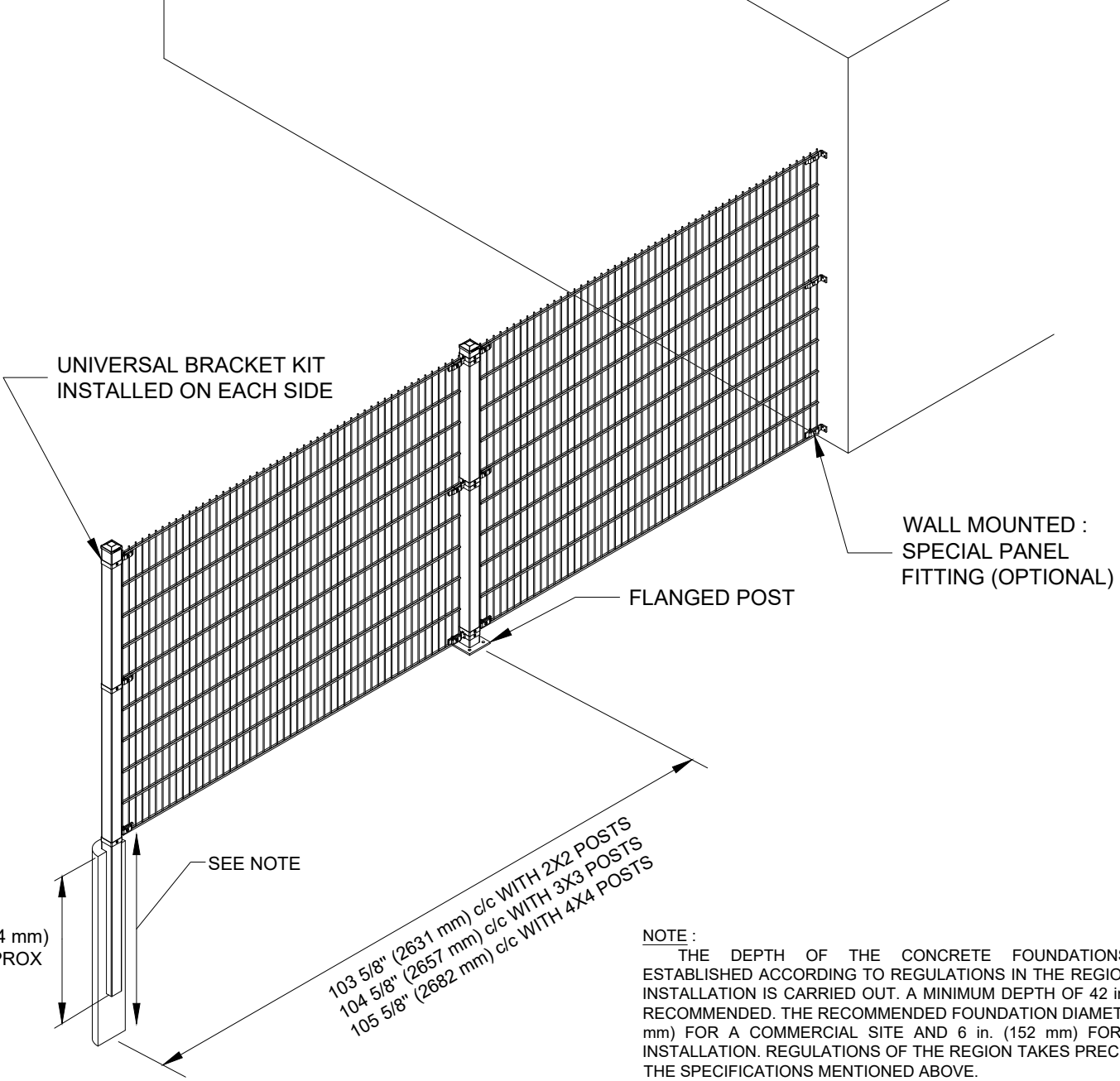
INSERT ALL THE POSTS VERTICALLY AT ITS PROPER HEIGHT IN CONCRETE. ONCE THE CONCRETE IS SET, THE MESH SECTIONS ARE FASTENED TO THE POSTS WITH THE UNIVERSAL BRACKET KITS. THE BRACKETS SLOT ALLOWS FOR ADJUSTMENTS OF $\pm 1\text{-}1/2"$ (38 mm).

WHEN ANY POST OR WIRE MESH SECTION IS FIELD CUT, A ZINC RICH PRIMER MUST BE APPLIED TO THE EXPOSED ENDS; AFTER, AN OMEGA TOUCH-UP PAINT MATCHING THE PROPER COLOR SHALL BE USED.

THE MESH SHALL BE INSTALLED ACCORDING TO OWNERS INSTRUCTIONS WITH THE FOLLOWING OPTIONS:

- 1) PICKETS UPWARDS (SHOWN) OR DOWNWARDS

FOR LARGER FENCE DETAILS, VISIT OUR WEB SITE'S TECHNICAL PAGE



NOTE :
THE DEPTH OF THE CONCRETE FOUNDATIONS MUST BE ESTABLISHED ACCORDING TO REGULATIONS IN THE REGION WHERE THE INSTALLATION IS CARRIED OUT. A MINIMUM DEPTH OF 42 in. (1070 mm) IS RECOMMENDED. THE RECOMMENDED FOUNDATION DIAMETER IS 8 in. (200 mm) FOR A COMMERCIAL SITE AND 6 in. (152 mm) FOR RESIDENTIAL INSTALLATION. REGULATIONS OF THE REGION TAKES PRECEDENCE OVER THE SPECIFICATIONS MENTIONED ABOVE.

**SQUARE POSTS
INSTALLATION WITH
SPIDER BRACKET
KIT**

GRADING

THE GROUND SHALL BE GRADED TO AN EASY EVEN SLOPE ALL ALONG THE LENGTH OF THE AREA WHERE THE FENCE IS TO BE INSTALLED.

INSTALLATION

INSTALL THE FENCE ALONG THE SPECIFIED AREA. THE FENCE SHALL BE INSTALLED A DISTANCE OF A MINIMUM OF 1" (25 mm) AND MAXIMUM OF 2" (50 mm) ABOVE THE GROUND SURFACE.

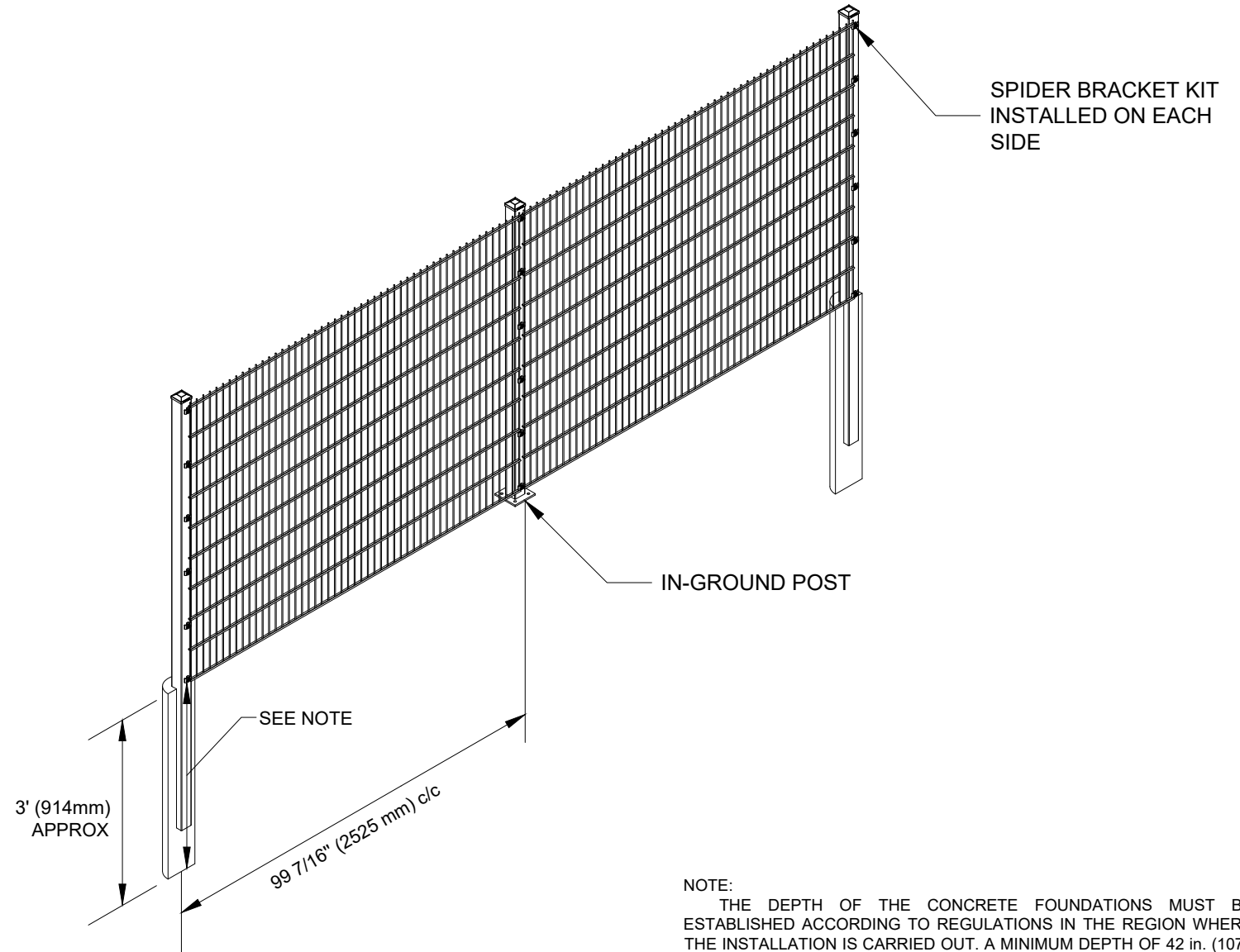
INSERT ALL THE POSTS VERTICALLY AT ITS PROPER HEIGHT IN CONCRETE. ONCE THE CONCRETE IS SET, THE MESH SECTIONS ARE FASTENED TO THE POSTS WITH THE SPIDER BRACKET KITS. THE BRACKETS SLOT ALLOWS FOR ADJUSTMENTS OF ±1/2" (12.7 mm).

WHEN ANY POST OR WIRE MESH SECTION IS FIELD CUT, A ZINC RICH PRIMER MUST BE APPLIED TO THE EXPOSED ENDS AFTER, AN OMEGA TOUCH-UP PAINT MATCHING THE PROPER COLOR SHALL BE USED.

THE MESH SHALL BE INSTALLED ACCORDING TO OWNERS INSTRUCTIONS WITH THE FOLLOWING OPTIONS :

- 1) PICKETS UPWARDS (SHOWN) OR DOWNWARDS

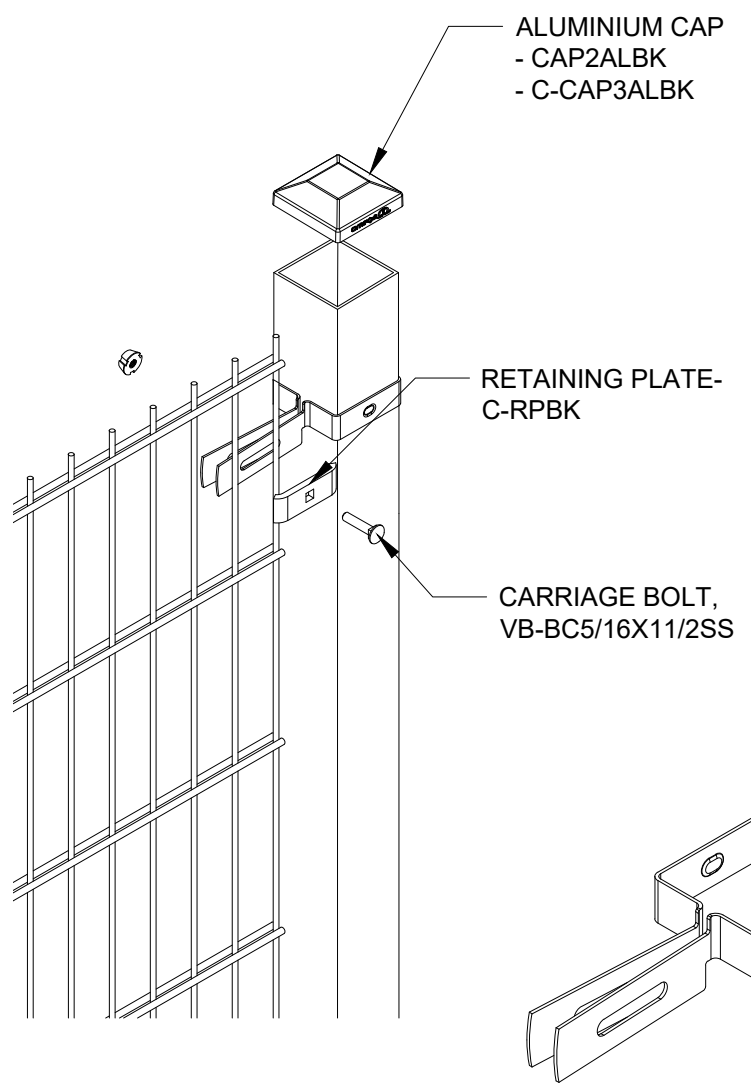
FOR LARGER FENCE DETAILS, VISIT OUR WEBSITE'S TECHNICAL PAGE



NOTE:
THE DEPTH OF THE CONCRETE FOUNDATIONS MUST BE ESTABLISHED ACCORDING TO REGULATIONS IN THE REGION WHERE THE INSTALLATION IS CARRIED OUT. A MINIMUM DEPTH OF 42 in. (1070 mm) IS RECOMMENDED. THE RECOMMENDED FOUNDATION DIAMETER IS 8 in. (200 mm) FOR A COMMERCIAL SITE AND 6 in. (152 mm) FOR RESIDENTIAL INSTALLATION. REGULATIONS OF THE REGION TAKES PRECEDENCE OVER THE SPECIFICATIONS MENTIONED ABOVE.

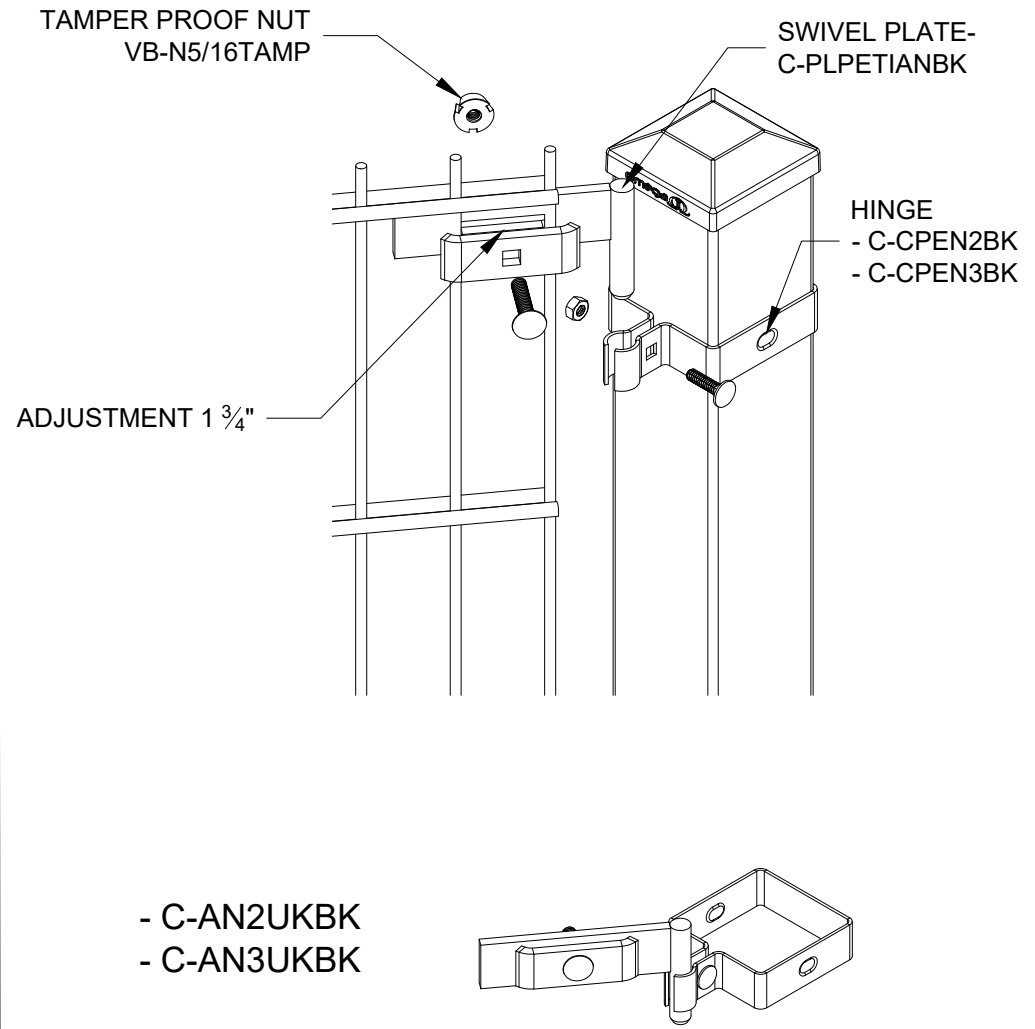
UNIVERSAL BRACKET 2" & 3"

C-SECU2KBK & C-SECU3KBK



UNIVERSAL ANGLE BRACKET 2" & 3"

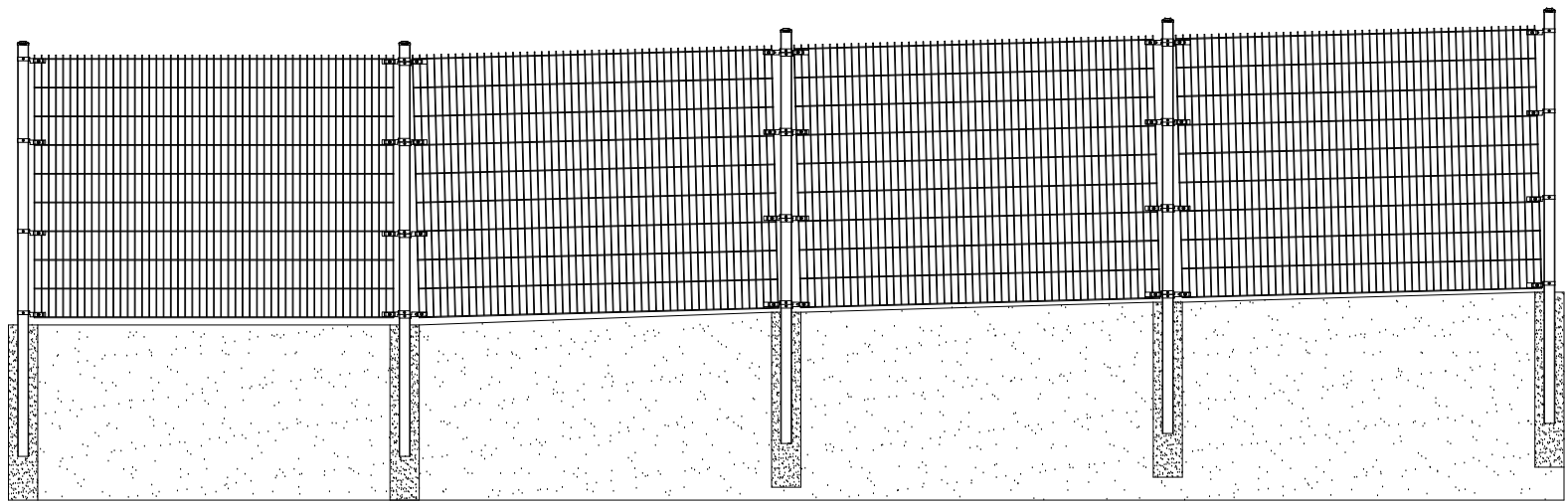
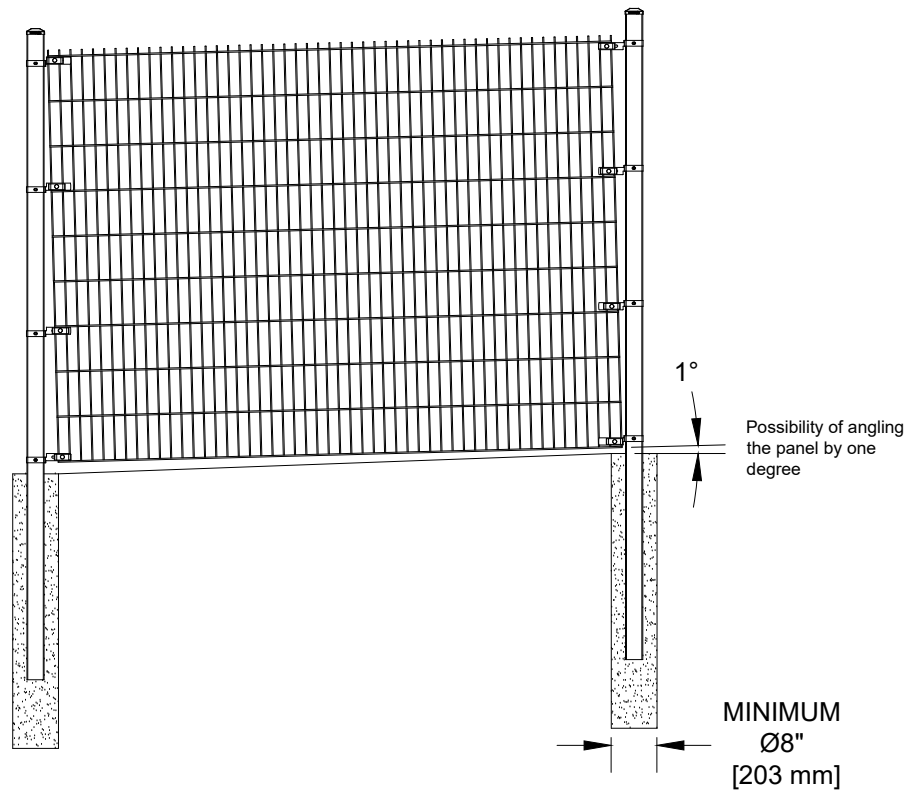
C-AN2UTKBK & C-AN3UTKBK



SECUR DOUBLE WIRE PANEL INSTALLATION ON A GRADUAL SLOPE

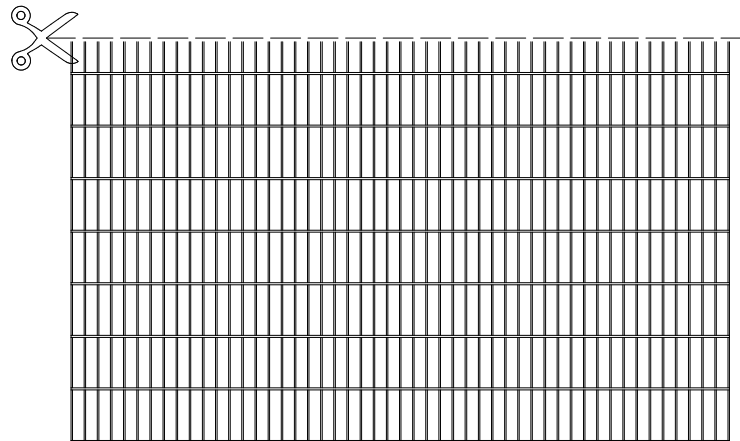
**SLOPE INSTALLATION:
ANGLE THE PANEL BEFORE
ATTACHING THE BRACKET**

NOTE:
THE DEPTH OF THE CONCRETE FOUNDATIONS MUST BE ESTABLISHED ACCORDING TO REGULATIONS IN THE REGION WHERE THE INSTALLATION IS CARRIED OUT. A MINIMUM DEPTH OF 42 in. (1070 mm) IS RECOMMENDED. THE RECOMMENDED FOUNDATION DIAMETER IS 8 in. (200 mm) FOR A COMMERCIAL SITE AND 6 in. (152 mm) FOR RESIDENTIAL INSTALLATION. REGULATIONS OF THE REGION TAKES PRECEDENCE OVER THE SPECIFICATIONS MENTIONED ABOVE.



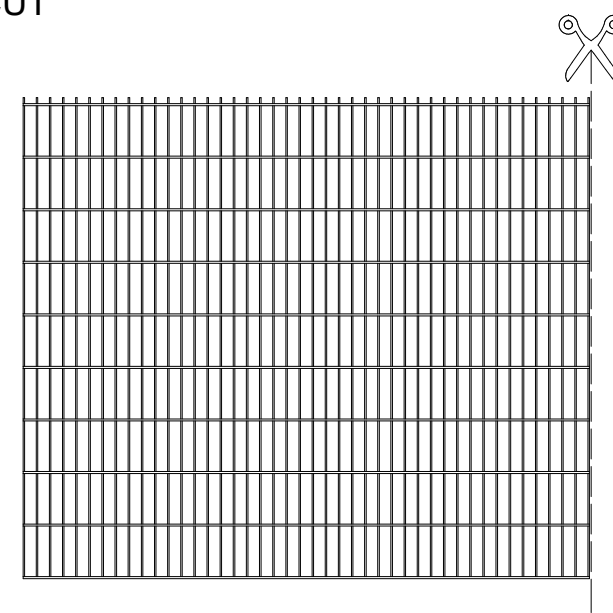
SECUR DOUBLE WIRE CUTTING OPTIONS

HORIZONTAL CUT



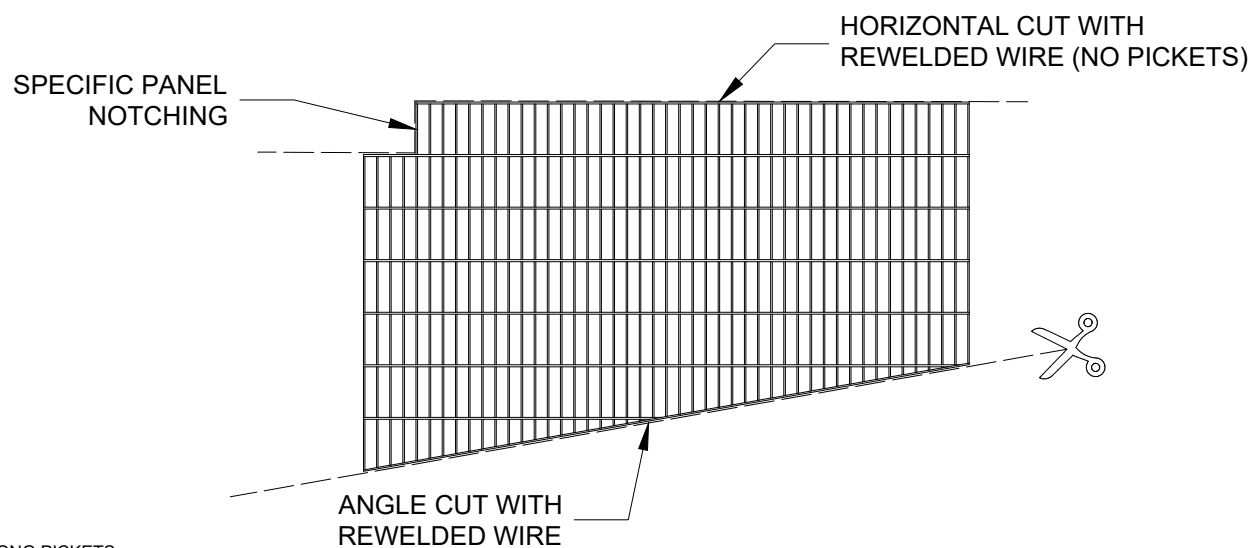
OPTIONAL PICKETS SHALL BE NO MORE THAN 1" FOR VERTICAL WIRES
NOTE : ALWAYS CUT ALONG CLOSEST WIRE

VERTICAL CUT



NOTE : ALWAYS CUT ALONG CLOSEST WIRE

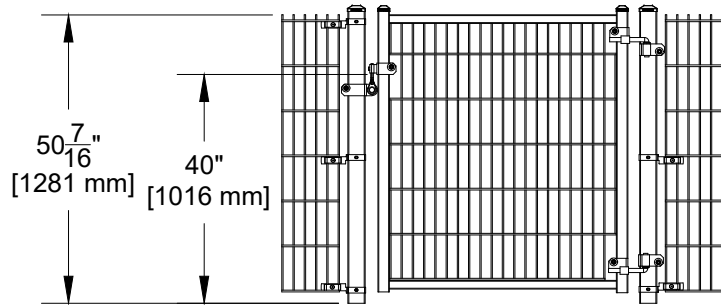
ANGLE CUT, CUSTOM CUT OR COMBINATION



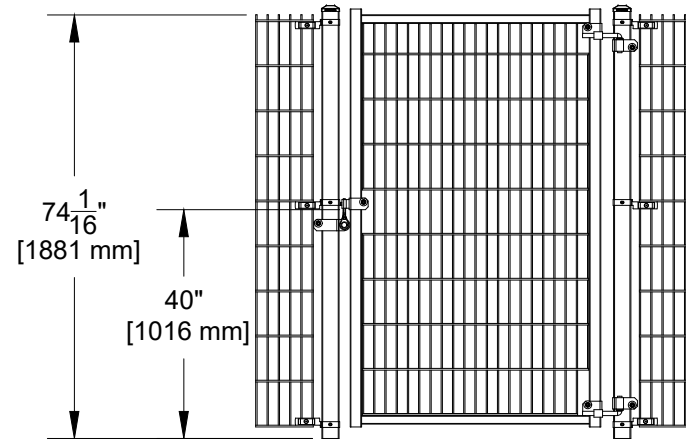
REQUIRES RE-WELDED WIRE TO AVOID LONG PICKETS

SECUR DOUBLE WIRE SWING GATES MODEL GPM40

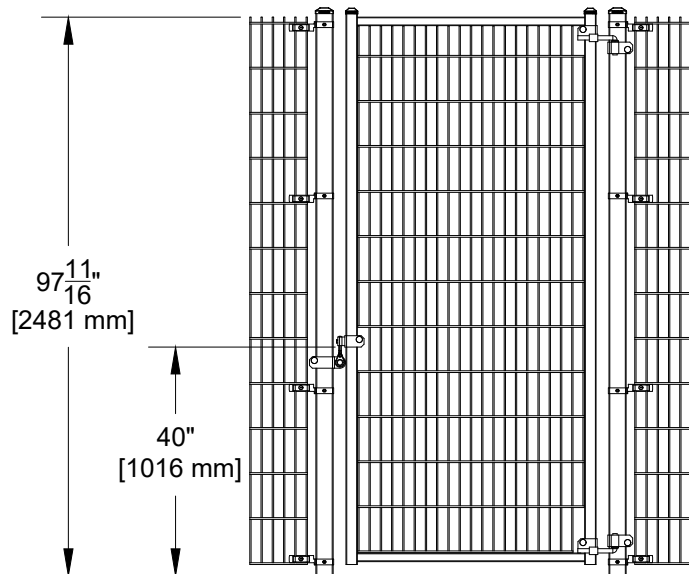
C-GPM40XX48



C-GPM40XX72



C-GPM40XX96



SURFACE FINISH

ALL OMEGA DOUBLE WIRE - SECUR GATES ARE COATED WITH POLYESTER POWDER COATING. POLYESTER COATING IS APPLIED BY AN ELECTROSTATIC METHOD AND AVAILABLE IN MANY COLORS. FOR MORE INFORMATION, PLEASE REFER TO SPECIFICATIONS.



Omega II Fence Systems
 1735, Blvd. St-Elzéar West
 Laval, Quebec
 H7L 3N6

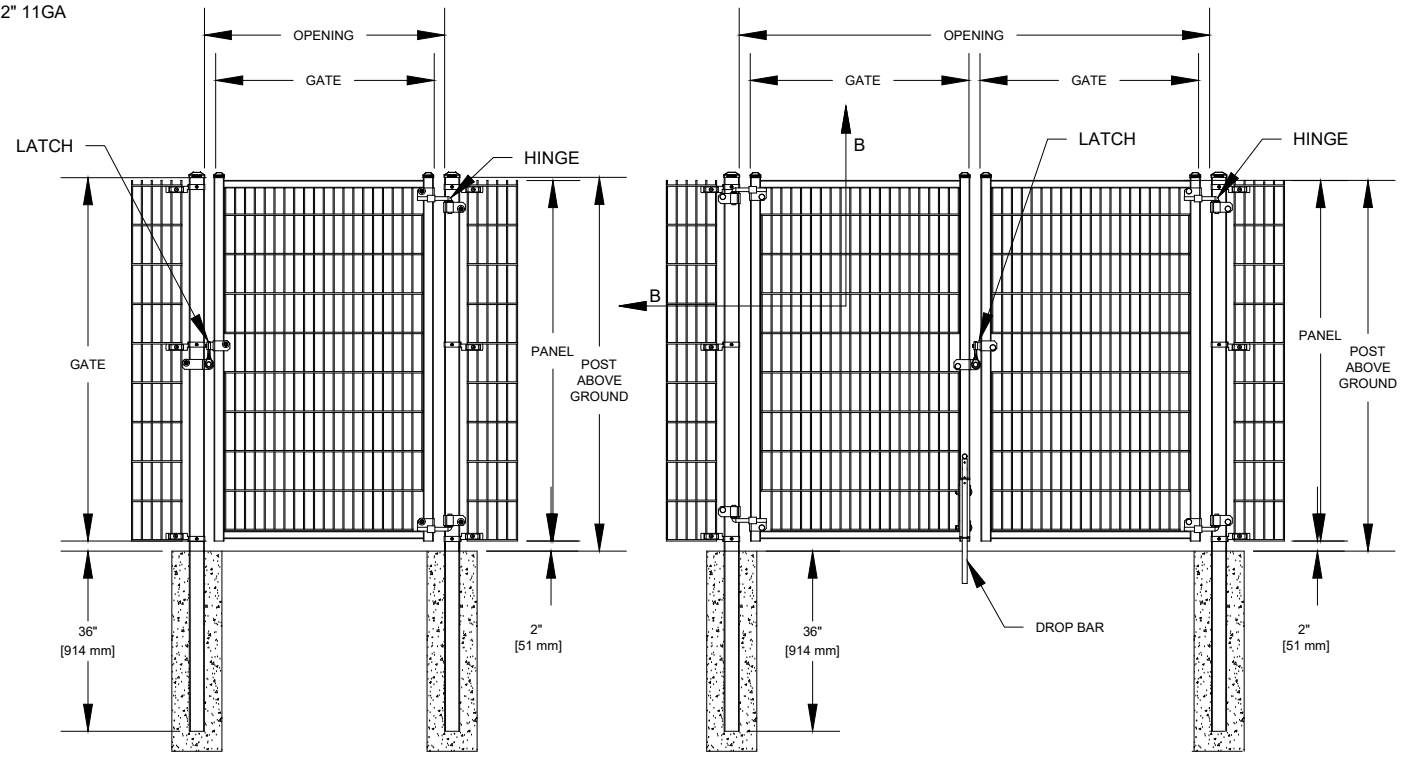
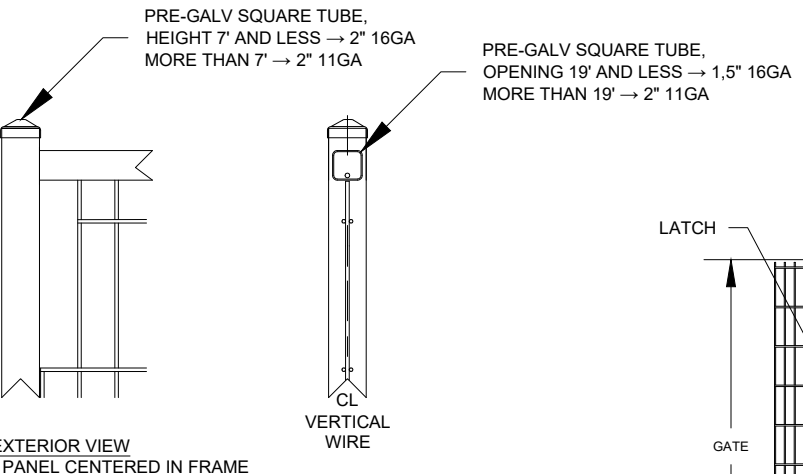
Tel: 450-686-9600
 1-800-836-6342
 Fax: 450-681-5318
www.omegafence.com

SE-09

REVISION : 09/21

SECUR DOUBLE WIRE SINGLE & DOUBLE SWING GATE MODEL GPM40

SECTION B-B FRAME & PANEL



Secur			
Panel	Minimum opening*	Maximum opening*	Post
4'-0"	3'	11'	3" x 3" 11 ga
	>11'	16'	4" x 4" 11ga
	>16'	19'	6" x 6" 3/16"
6'-0"	3'	9'	3" x 3" 11 ga
	>9'	13'	4" x 4" 11ga
	>13'	19'	6" x 6" 3/16"
8'-0"	3'	7'	3" x 3" 11 ga
	>7'	9'	4" x 4" 11ga
	>9'	19'	6" x 6" 3/16"

*THE OPENING IS BASED ON THE SINGLE GATE MODEL

• HINGES AND LATCHES CAN BE INSTALLED ON EITHER SIDE

NOTE: THE DEPTH OF THE CONCRETE FOUNDATIONS MUST BE ESTABLISHED ACCORDING TO REGULATIONS IN THE REGION WHERE THE INSTALLATION IS CARRIED OUT. A MINIMUM DEPTH OF 42 in. (1070 mm) IS RECOMMENDED. THE RECOMMENDED FOUNDATION DIAMETER IS 8 in. (200 mm) FOR A COMMERCIAL SITE AND 6 in. (152 mm) FOR RESIDENTIAL INSTALLATION. REGULATIONS OF THE REGION TAKES PRECEDENCE OVER THE SPECIFICATIONS MENTIONED ABOVE.

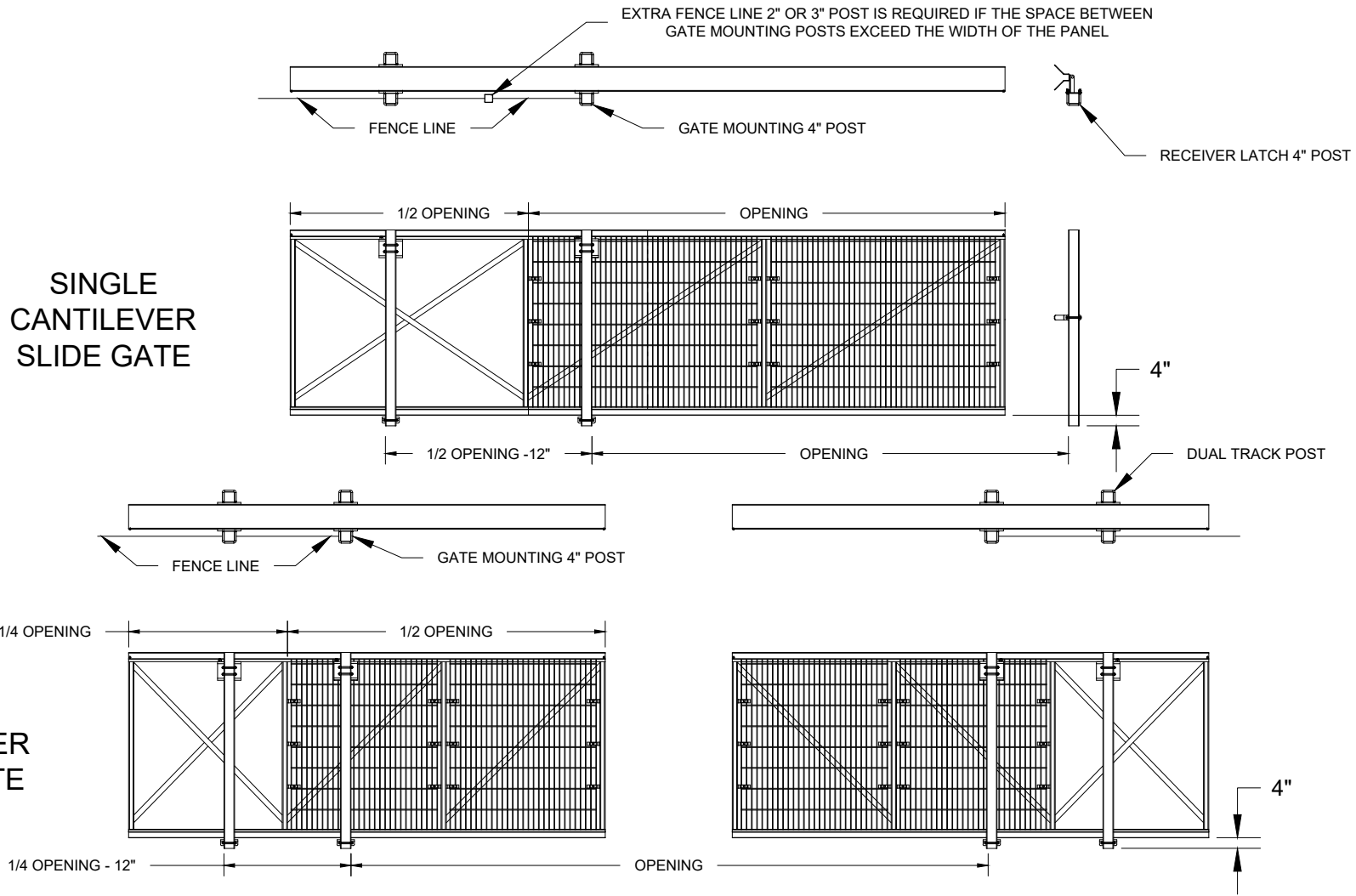


Omega II Fence Systems
1735, Blvd. St-Elzéar West
Laval, Quebec
H7L 3N6

Tel: 450-686-9600
1-800-836-6342
Fax: 450-681-5318
www.omegafence.com

SE-10
REVISION : 12/21

SECUR DOUBLE WIRE CANTILEVER SLIDE ALUMINUM GATE



TUBE BRACED CANTILEVER SLIDE:

THE ALUMINUM CANTILEVER GATES ARE CONSTRUCTED WITH AN UPPER AND LOWER TRACK, FABRICATED FROM OF 6061-T6 ALUMINIUM ALLOY EXTRUSIONS. THE UPPER AND LOWER TRACKS SHALL BE WELDED AND/OR BOLTED TO 2"X2"X.125". EACH FRONT SECTION SHALL HAVE ONE DIAGONAL BRACE OF 1"X2"X.125 WALL ALUMINIUM TUBE. EACH TAIL SECTION OF THE GATE SHALL BE X-BRACED WITH TWO 1"X2"X.125 WALL ALUMINIUM TUBE. OUR STANDARD COLORS UTILIZED AN EPOXY-VINYL PAINT PRIMER WITH AN ACRYLIC SURFACE COATING. BOTH COATINGS ARE APPLIED IN ONE LAYER BY SPRAY PAINT PROCESS. THE FABRIC SHALL BE HELD IN PLACE BY CARRIAGE BOLTS & NUTS. GATES WITH BARBWIRE SHALL USE BRACE BANDS AND BOLTS TO HOLD THE WIRE IN PLACE. ALUMINUM CANTILEVER GATES ARE AVAILABLE IN ALUMINIUM ONLY AND CAN BE ORDERED AS MODULAR/KNOCK-DOWN GATES, IDEAL FOR TRANSPORTING TALL GATES. THESE COME READY TO ASSEMBLE WITH ALL HOLES PREDRILLED FOR 1/2" BOLTS, WHICH ARE SUPPLIED FOR ASSEMBLY.

GATE POSTS:

THE 4" POSTS ARE MADE OF GALVANIZED STEEL. PROVIDE 1 LATCH POST AND 2 SUPPORT POSTS FOR SINGLE SLIDE GATE AND 4 SUPPORT POSTS FOR DOUBLE SLIDE GATES.



Omega II Fence Systems
 1735, Blvd. St-Elzéar West
 Laval, Quebec
 H7L 3N6

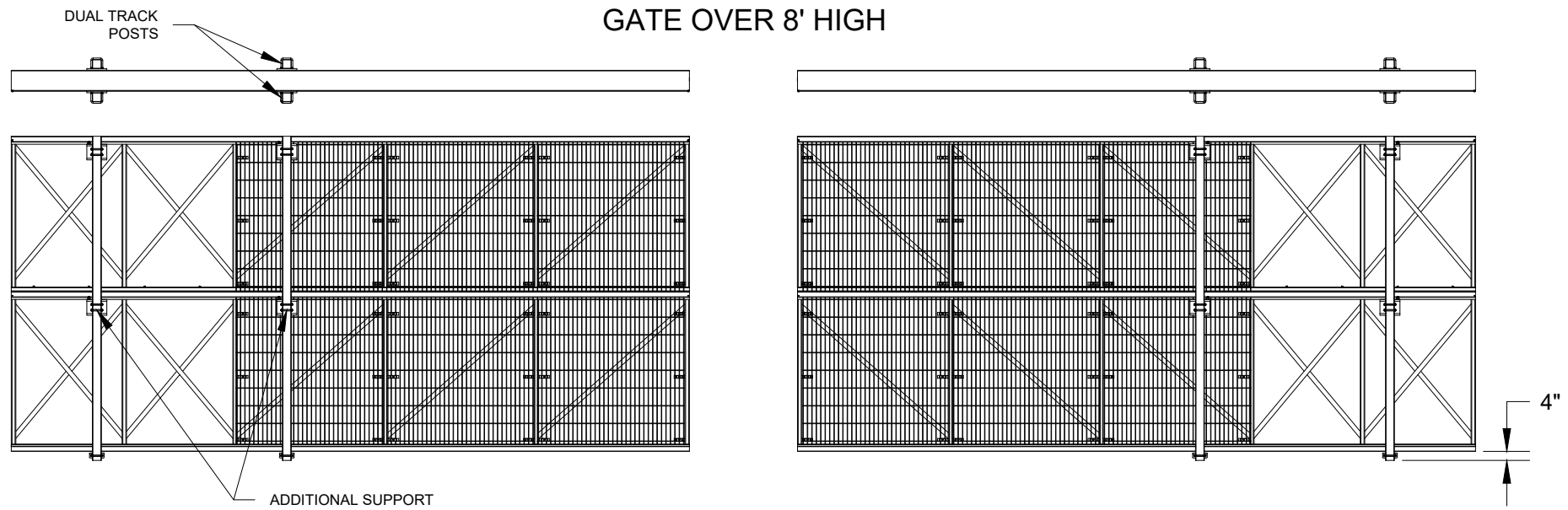
Tel: 450-686-9600
 1-800-836-6342
 Fax: 450-681-5318
www.omegafence.com

SE-11

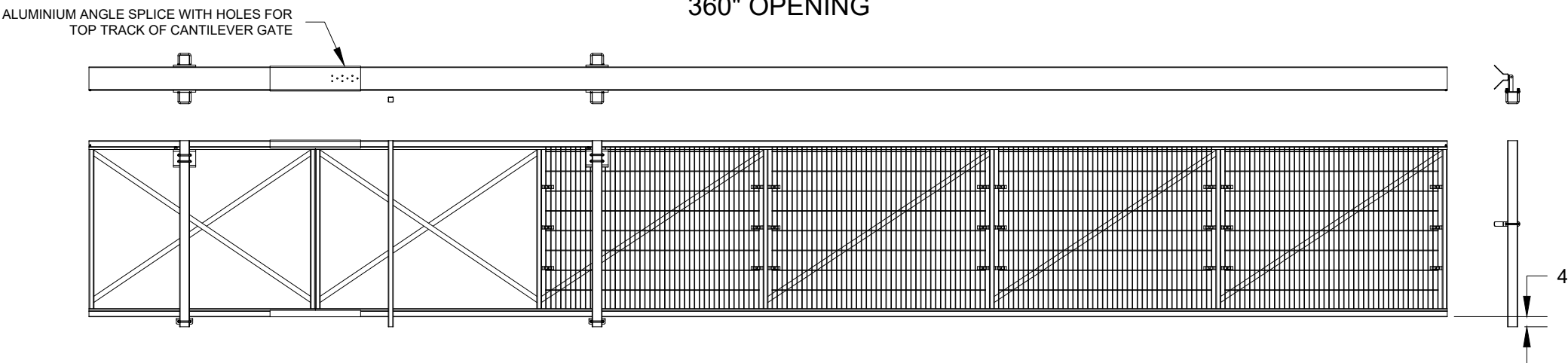
REVISION : 09/21

SECUR DOUBLE WIRE CANTILEVER SLIDE ALUMINIUM GATE CUSTOM SIZES

CANTILEVER DOUBLE SLIDE GATE OVER 8' HIGH



CANTILEVER SLIDE GATE OVER 360" OPENING



SURFACE COATING
 ALL GATES HAVE A PAINT PRIMER APPLIED TO THE FRAME. AFTERWARDS AN ACRYLIC SURFACE COATING (STANDARD BLACK OR ANY OPTIONAL COLOR) IS APPLIED IN ONE LAYER BY SPRAY PAINT PROCESS. POLYESTER COATING IS APPLIED BY AN ELECTROSTATIC METHOD AND AVAILABLE IN SEVERAL COLORS. FOR MORE INFORMATION, PLEASE REFER TO SPECIFICATIONS.