

| ITEM | QTY | CODE | DESCRIPTION |
|------|-----|-----------------|--|
| 1 | 2 | C-CAP2AL | ALUMINUM CAP FOR 2" SQUARE POSTS - SP |
| 2 | 1 | C-DP1_84943ALPT | OMEGA UNIK PANEL FOR PLANTER : 49-3/8" H X 43-1/2" L - ALUMINUM 1/8" THICK PAINTED |
| 3 | 6 | C-PC5_16X2TAMPK | HARDWARE : BOLT AND TAMPER-PROOF NUT 5/16" FOR 2" POST |
| 4 | 2 | C-PTCBR | PANEL SUPPORT ASSEMBLY |
| 5 | 4 | C-PTFPLGV | FIXATION PLATE - HOT DIPPED GALVANIZED |
| 6 | 2 | C-PTPBR | POST BRACKET FOR PLANTER - PREGALVANIZED AND PAINTED |
| 7 | 2 | C-PTPFDP4 | POST WITH FLANGE FOR UNIK PLANTER 4' HIGH - PREGALVANIZED AND PAINTED |
| 8 | 4 | VB-B5_16X1TAMP | TORX BOLT 5/16"-18 X 1" L. - STAINLESS |
| 9 | 8 | VB-BC3_8X2GV | SQUARE-NECK CARRIAGE BOLT 3/8" - 2" ZINC PLATED |
| 10 | 8 | VB-N3_8GV | NUT 3/8"-16 GALVANIZED |
| 11 | 4 | VB-W5_16GV | WASHER 5/16" GALVANIZED |

Omega II Fence System
1735 St-Elzéar Ouest, Laval,
Quebec, Canada, H7L 3N6

Tél: 800-836-6342
Website / Site internet:
www.omegatwo.com

SYSTÈMES DE CLÔTURES
Omega II
FENCE SYSTEMS

| PART CODE | VARIANT | FINISH DESCRIPTION / COLOR |
|--------------|---------|---------------------------------|
| C-PTDP4X2KBK | BK | BLACK RAL9004 (30% GLOSS) |
| C-PTDP4X2KGV | GV | HOT-DIP GALVANIZED |
| C-PTDP4X2KSP | SP | SPECIAL COLOR (DEFINE IN ORDER) |

For product information's, please refer to:
Pour des informations sur les produits, se référer:

CODE : C-PTDP4X2K REV. : CLIENT

DESCRIPTION :
KIT POUR PLANTER 4' X 2' UNIK
UNIK KIT FOR 4' X 2' PLANTER

DESSINÉ PAR: HBARBERO VÉRIFIÉ PAR:

ÉCHELLE: 1:17 FORMAT: B DATE: 2024-02-01 PAGE: 1/2

SURFACE FINISH / FINI DE SURFACE: HOT DIP GALVANIZED OR / OU PAINTED/PEINTURÉ

IF PAINTED, SPECIFY COLOR / SI PENTURÉ, SPÉCIFIER COULEUR: _____

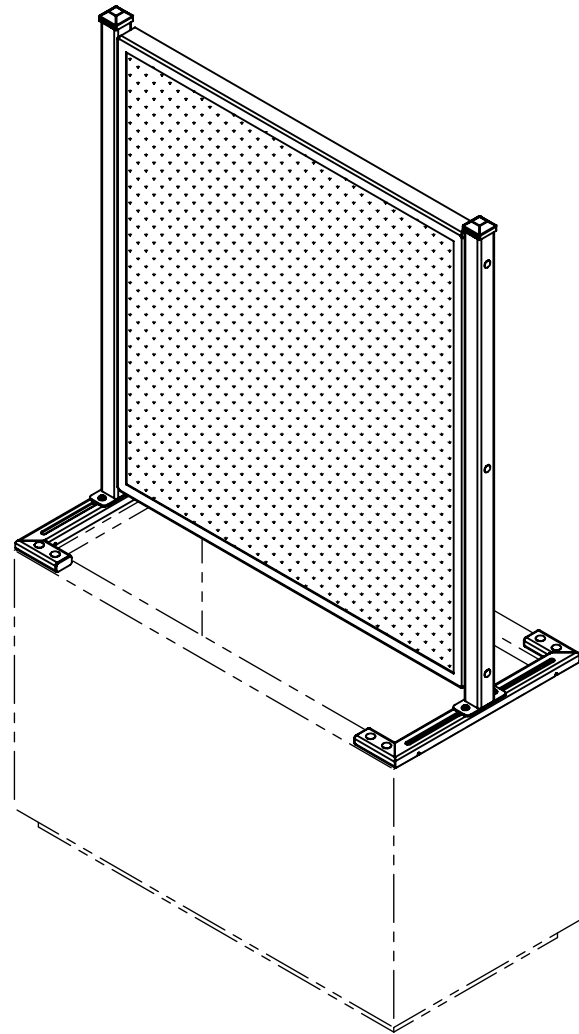
A APPROVAL / APPROBATION: _____

L'INFORMATION CONTENUE DANS CE PLAN SONT LA PROPRIÉTÉ EXCLUSIVE DE METALTECH-OMEGA INC. TOUTE REPRODUCTION COMPLÈTE OU PARTIELLE SANS L'AUTORISATION ÉCRITE DE METALTECH-OMEGA INC EST INTERDITE.
THE INFORMATION FOUND IN THIS PLAN IS THE EXCLUSIVE PROPERTY OF METALTECH-OMEGA INC. REPRODUCTION IN ENTIRETY OR IN PART WITHOUT THE WRITTEN CONSENT OF METALTECH-OMEGA INC IS PROHIBITED.

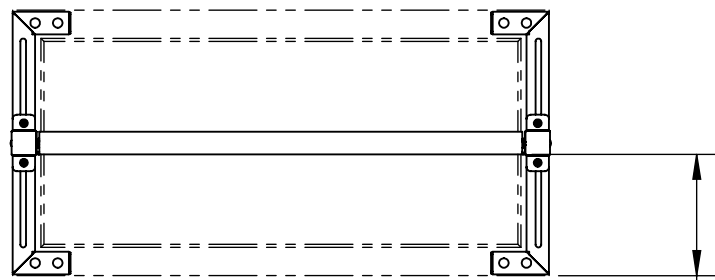
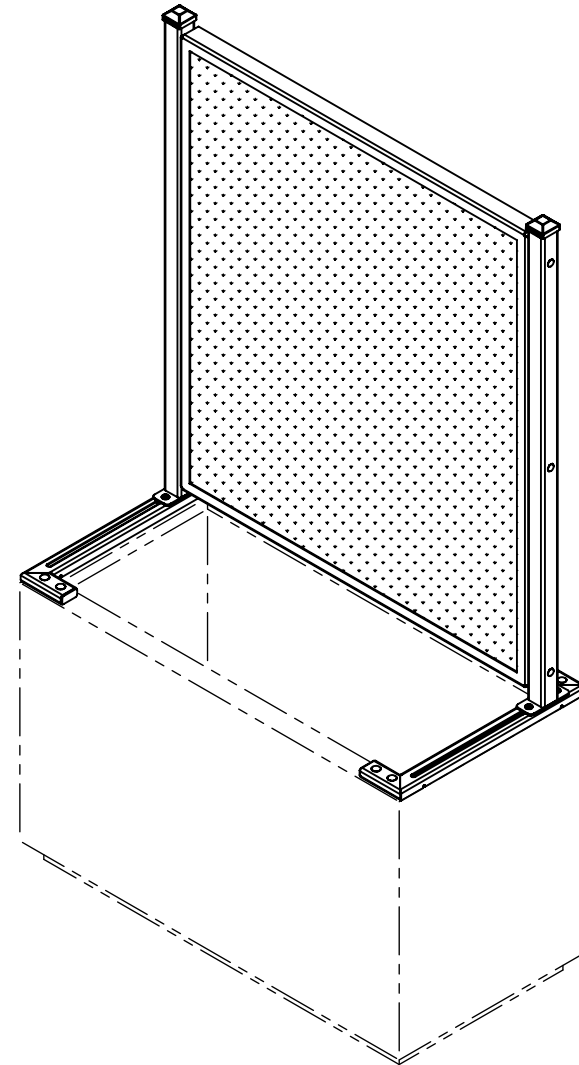
16 15 14 13 12 11 10 9 8 7 6 5 4 3 2 1

K
J
H
G
F
E
D
C
B
A

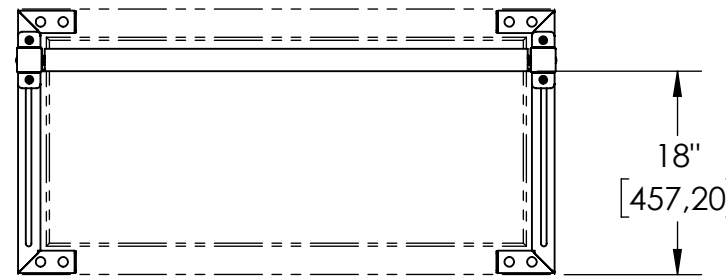
CENTERED ASSEMBLY



OFF-CENTERED ASSEMBLY



10 ³/₄"
[273,05]



18"
[457,20]

SURFACE FINISH / FINI DE SURFACE: HOT DIP GALVANIZED OR / OU PAINTED/PEINTURÉ

IF PAINTED, SPECIFY COLOR / SI PEINTURÉ, SPÉCIFIER COULEUR: _____

APPROVAL / APPROBATION: _____

| ITEM | QTY | CODE | DESCRIPTION |
|------|-----|-----------------|--|
| 1 | 2 | C-CAP2AL | ALUMINUM CAP FOR 2" SQUARE POSTS - SP |
| 2 | 1 | C-DP1_84943ALPT | OMEGA UNIK PANEL FOR PLANTER : 49-3/8" H X 43-1/2" L - ALUMINUM 1/8" THICK PAINTED |
| 3 | 6 | C-PC5_16X2TAMPK | HARDWARE : BOLT AND TAMPER-PROOF NUT 5/16" FOR 2" POST |
| 4 | 2 | C-PTCBR | PANEL SUPPORT ASSEMBLY |
| 5 | 4 | C-PTFPLGV | FIXATION PLATE - HOT DIPPED GALVANIZED |
| 6 | 2 | C-PTPBR | POST BRACKET FOR PLANTER - PREGALVANIZED AND PAINTED |
| 7 | 2 | C-PTPFDP4 | POST WITH FLANGE FOR UNIK PLANTER 4' HIGH - PREGALVANIZED AND PAINTED |
| 8 | 4 | VB-B5_16X1TAMP | TORX BOLT 5/16"-18 X 1" L. - STAINLESS |
| 9 | 8 | VB-BC3_8X2GV | SQUARE-NECK CARRIAGE BOLT 3/8" - 2" ZINC PLATED |
| 10 | 8 | VB-N3_8GV | NUT 3/8"-16 GALVANIZED |
| 11 | 4 | VB-W5_16GV | WASHER 5/16" GALVANIZED |

Omega II Fence System
1735 St-Elzéar Ouest, Laval,
Quebec, Canada, H7L 3N6
Tél: 800-836-6342
Website / Site internet:
www.omegatwo.com



| PART CODE | VARIANT | FINISH DESCRIPTION / COLOR |
|--------------|---------|---------------------------------|
| C-PTDP4X2KBK | BK | BLACK RAL9004 (30% GLOSS) |
| C-PTDP4X2KGV | GV | HOT-DIP GALVANIZED |
| C-PTDP4X2KSP | SP | SPECIAL COLOR (DEFINE IN ORDER) |

For product information's, please refer to:
Pour des informations sur les produits, se référer:

CODE : C-PTDP4X2K
REV. : CLIENT

DESCRIPTION :
KIT POUR PLANTER 4' X 2' UNIK
UNIK KIT FOR 4' X 2' PLANTER

DESSINÉ PAR: HBARBERO
VÉRIFIÉ PAR:

ÉCHELLE: 1:17
FORMAT: B
DATE: 2024-02-01
PAGE: 2/2

16 15 14 13 12 11 10 9 8 7 6 5 4 3 2 1